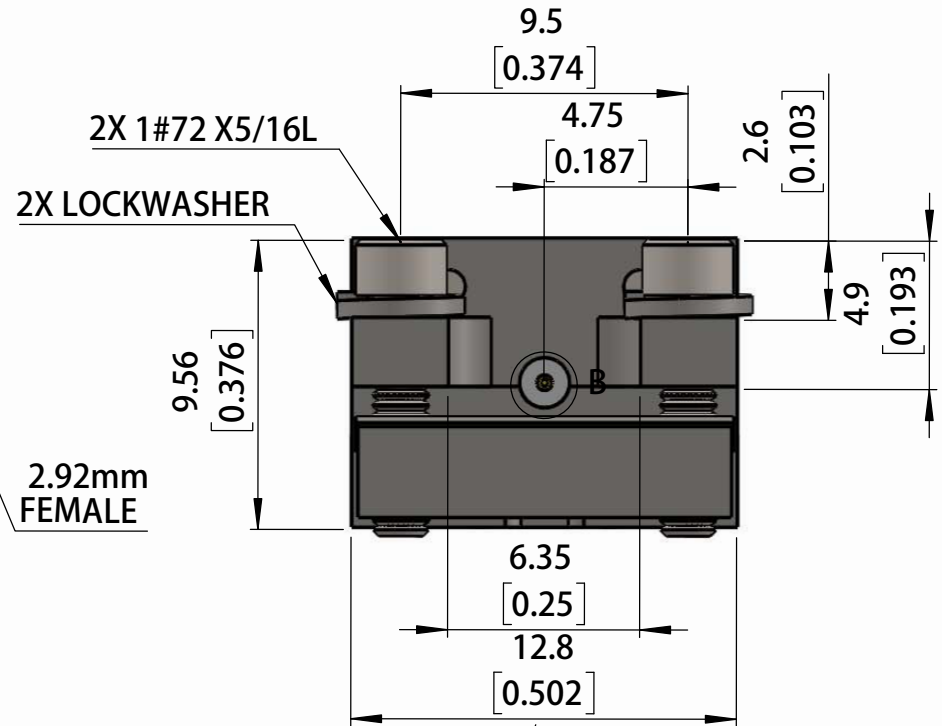
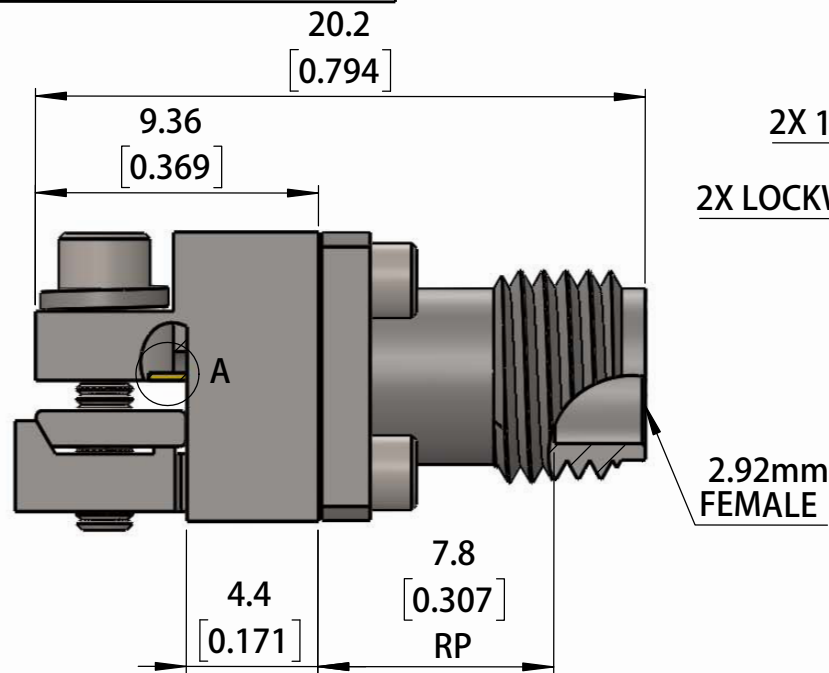
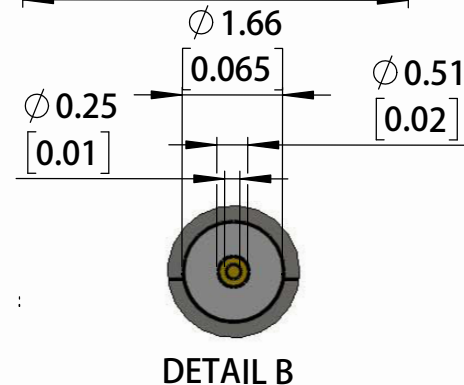
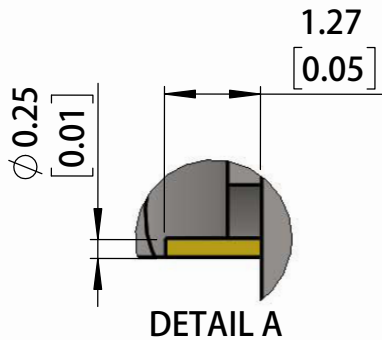


MODEL NO. EL29-KFD010



HOUSING:	SUS303
CONTACT:	BeCu C 17300 GOLD PLATE
BEAD:	PTFE
CAPTURE BEAD:	ULTEM
ITEM:	MATERIAL & FINISH
Frequency:	DC:50GHz
VSWR:	



REV.	RELEASE	APRVD:	DATE: 2020/2/12	TITLE: 2.92mm ENDLAUNCH CONNECTOR	
				MODEL NO. EL29-KFD010	
DRN BY:	DATE: 2020/2/12	SCALE: 4:1	SHEET: 1 OF 1	REV.	