

NOTES: UNLESS OTHERWISE SPECIFIED
THIS IS A CAD GENERATED DRAWING, DO NOT REVISE MANUALLY

REVISION HISTORY					
ZONE	REV	DESCRIPTION	E.C.O.NO	DATE	APPROVED
	1	ENGINEERING RELEASE			

LRJ-1124

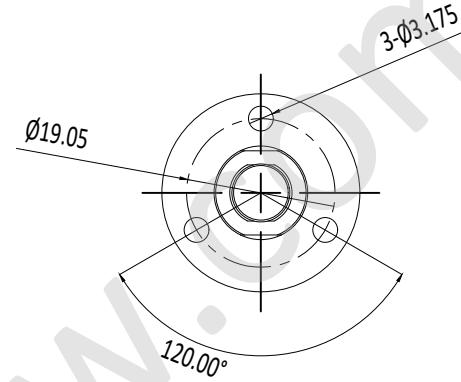
DC - 67GHz 旋转关节 Rotary Joint

—电气技术参数 Electrical Specifications—

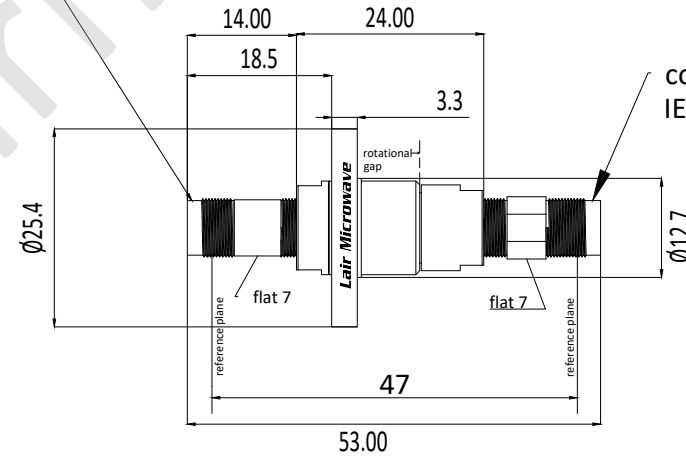
工作频率 Frequency Range:	DC - 67GHz
插入损耗 Insertion Loss:	0.2dB@DC~10GHz, 0.3dB@10~26GHz 0.4dB@26~50GHz, 0.5dB@50~67GHz
插入损耗波动值	0.02dB@DC~10GHz, 0.04dB@10~26GHz
Insertion Loss Variation Over Rotation:	0.08dB@26-50GHz, 0.1dB@50~67GHz
电压驻波比 VSWR:	1.1@DC~10GHz, 1.2@10~26.5GHz 1.3@26~50GHz, 1.4@50~67GHz
驻波比波动值 VSWR Variation Over Rotation:	0.02@DC~10GHz, 0.04@10~26GHz 0.08@26~50GHz, 0.1@50~67GHz
相位波动值 Phase Variation Over Rotation:	1deg@DC~10GHz, 2deg@10~26GHz 3deg@26~50GHz, 4deg@50~67GHz
耐功率 Power Capability:	10W@DC~10GHz, 5W@10~26GHz 3W@26~50GHz, 1W@50~67GHz (CW) 1000W (Peak)
直流容量 DC Carrying Capability:	0.2A
工作温度 Operating Temperature:	-40 ~ +60°C
存储温度 Storage Temperature:	-55 ~ +80°C
转动速度 Speed:	300rpm (Max.)
寿命 Life:	0.2x10 ⁶ 转

—机械技术参数 Mechanical Specification—

接口 Connectors:	1.85mm-F(50Ω)
样式 Type:	/
重量 Weight:	0.03kg



connector according to
IEEE Std 287 1.85 mm female GPC



connector according to
IEEE Std 287 1.85 mm female GPC

UNLESS OTHERWISE SPECIFIED DIMENSIONS ARE MILLIMETER TOLERANCES ARE: DECIMALS ANGLES FRACTIONS .XX±0.1 ±1' ±2/5 .XXX±0.03 .XXX±0.012				莱尔微波 www.lairmw.com sales@lairmw.com		P/N: LRJ-1124	
HOLE DIAMETER .35 TO 3.20 3.21 TO 6.35 6.36 TO 12.70 12.71 TO 19.05 19.06 TO 25.40 25.41 TO 50.80		TOLERANCES +.05/-02 +.10/-03 +.15/-03 +.20/-03 +.25/-03 +.30/-03		Approvals DATE		SINGLE CHANNEL ROTARY JOINT 单通道旋转关节	
DRWN		ENG		CHK		Q.A.	
SIZE A3		CAGE NO		DWG NO.		REV 1	
SCALE 3:2		UNIT mm		SHEET 1 OF 1			