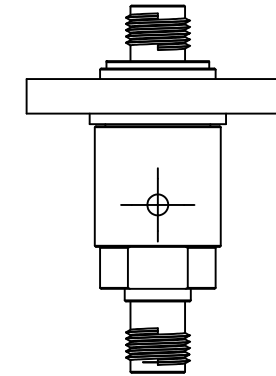
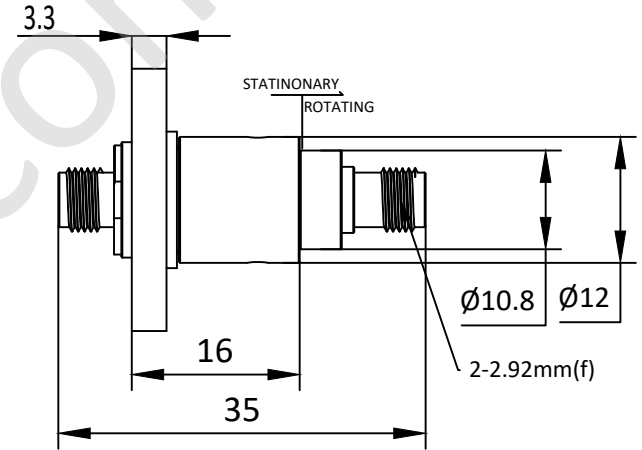
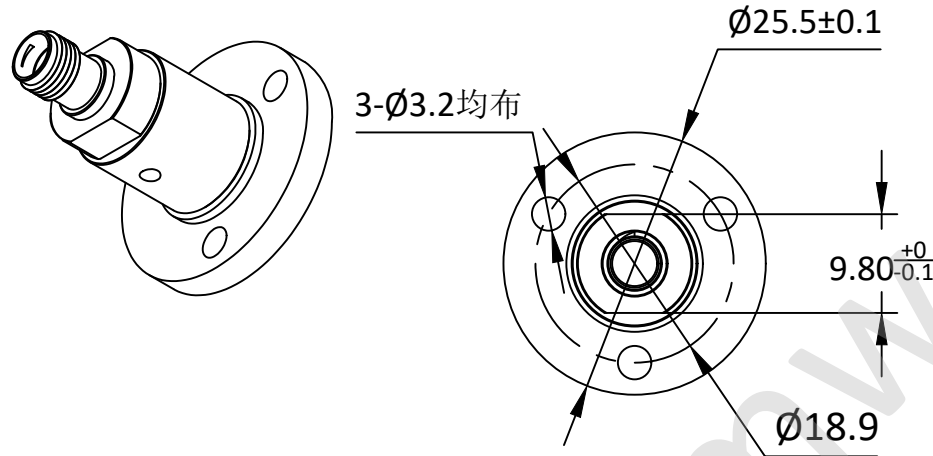


NOTES: UNLESS OTHERWISE SPECIFIED
THIS IS A CAD GENERATED DRAWING, DO NOT REVISE MANUALLY

REVISION HISTORY					
ZONE	REV	DESCRIPTION	E.C.O.NO	DATE	APPROVED
	1	ENGINEERING RELEASE			



LRJ-1060

DC - 40GHz 旋转关节 Rotary Joint

—电气技术参数 Electrical Specifications—

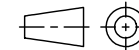
工作频率 Frequency Range:	DC - 40GHz
插入损耗 Insertion Loss:	0.5dB@DC-18GHz/1.0dB@18-26.5GHz/1.2dB@26.5-40GHz(Max)
插入损耗最大波动值:	/
电压驻波比 VSWR:	1.4@DC-18GHz/1.7@18-26.5GHz/2.0@26.5-40GHz (Max)
驻波比最大波动值:	0.15
耐功率 Power:	5W@DC-1GHz/2W@10-18GHz/1W@18-40GHz(CW) 500W@1GHz(Peak)
工作温度 Operation Temperature:	-40~+70°C
存储温度 Storage Temperature:	-55~+85°C
转动速度 Speed:	200rpm(Max)
寿命 Life:	5*10 ⁶ 转(Min)

—机械技术参数 Mechanical Specification—

接口 Connectors:	2.92mm-F
样式 Type:	
重量 Weight:	30g

UNLESS OTHERWISE SPECIFIED
DIMENSIONS ARE MILLIMETER
TOLERANCES ARE:
DECIMALS ANGLES FRACTIONS
.XX±0.1 ±1' ±2/5
.XX±0.03
.XXX±0.012

HOLE DIAMETER	TOLERANCES
.35 TO 3.20	+05/-02
3.21 TO 6.35	+10/-03
6.36 TO 12.70	+15/-03
12.71 TO 19.05	+20/-03
19.06 TO 25.40	+25/-03
25.41 TO 50.80	+30/-03



Approvals

DATE

DRWN

ENG

CHK

Q.A.



www.lairmw.com sales@lairmw.com

P/N: LRJ-1060

SINGLE CHANNEL COAX ROTARY JOINT
单通道同轴旋转关节

SIZE	CAGE NO	DWG NO.	REV
A3			1
SCALE 3:2	UNIT mm	SHEET 1 OF 1	