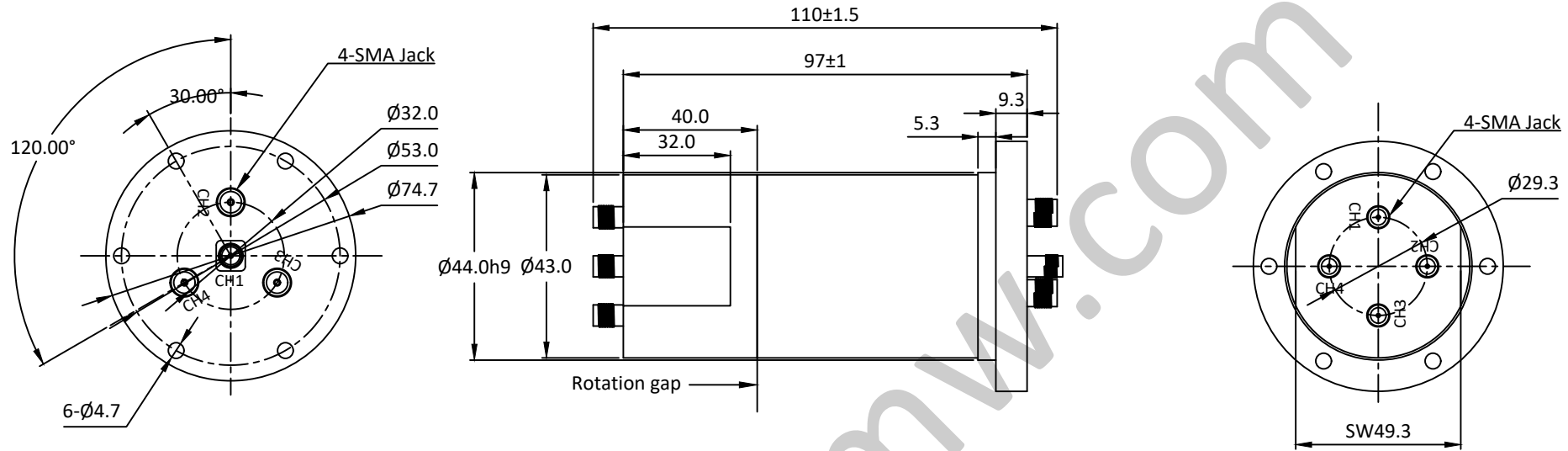


NOTES: UNLESS OTHERWISE SPECIFIED  
THIS IS A CAD GENERATED DRAWING, DO NOT REVISE MANUALLY

REVISION HISTORY					
ZONE	REV	DESCRIPTION	E.C.O.NO	DATE	APPROVED
	1	ENGINEERING RELEASE			



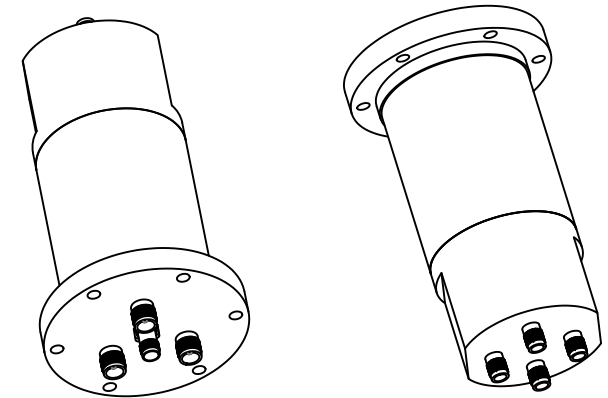
## LRJ-1122

四通道同轴旋转关节 Four Channel Coax Rotary Joint  
—电气技术参数 Electrical Specifications—

通道 Channel:	CH1	CH2	CH3	CH4
工作频率 Frequency Range:	0.9 - 1.2GHz	0.9 - 1.2GHz	0.9 - 1.2GHz	0.9 - 1.2GHz
插入损耗 Insertion Loss:	0.8dB(Max)	0.8dB(Max)	0.8dB(Max)	0.8dB(Max)
插入损耗最大波动值:	0.15dB	0.15dB	0.15dB	0.15dB
电压驻波比 VSWR:	1.4(Max)	1.4(Max)	1.4(Max)	1.4(Max)
驻波比最大波动值:	0.1	0.1	0.1	0.1
耐功率 Power:	50W(CW) 2000W(Peak)	50W(CW) 2000W(Peak)	50W(CW) 2000W(Peak)	150W(CW) 2000W(Peak)
工作温度 Operation Temperature:	-50~+70°C			
存储温度 Storage Temperature:	-55~+85°C			
转动速度 Speed:	60rpm(Max)			
寿命 Life:	5*10 <sup>6</sup> 转(Min)			

—机械技术参数 Mechanical Specification—

接口 Connectors: SMA-F@CH1&2&3&4  
样式 Type: /  
重量 Weight: 750g



UNLESS OTHERWISE SPECIFIED DIMENSIONS ARE MILLIMETER TOLERANCES ARE: DECIMALS ANGLES FRACTIONS .XX±0.03 ±1' ±2/5 .XXX±0.012				莱尔微波 www.lairmw.com sales@lairmw.com		P/N: LRJ-1122	
HOLE DIAMETER .35 TO 3.20 3.21 TO 6.35 6.36 TO 12.70 12.71 TO 19.05 19.06 TO 25.40 25.41 TO 50.80		TOLERANCES +.05/-0.2 +.10/-0.3 +.15/-0.3 +.20/-0.3 +.25/-0.3 +.30/-0.3		Approvals DATE DRWN ENG CHK Q.A.		FOUR CHANNEL COAX ROTARY JOINT 4通道同轴旋转关节	
		SCALE 3:2		UNIT mm		SHEET 1 OF 1	
		SIZE A3		CAGE NO.		DWG NO.	
						REV 1	