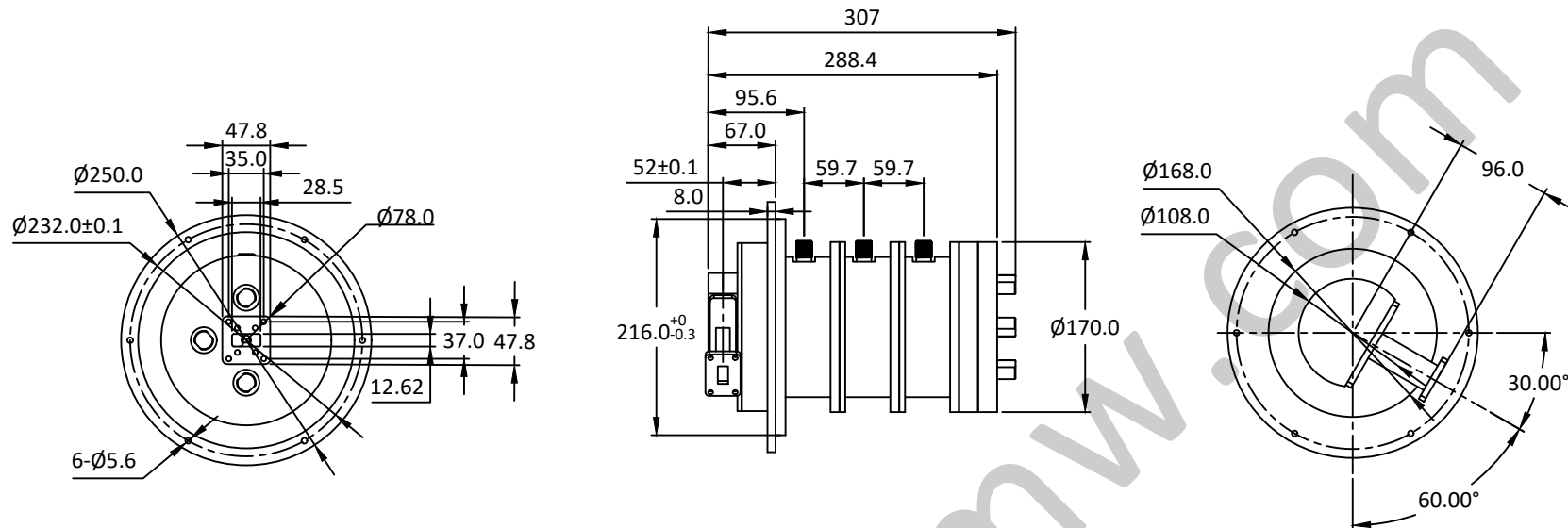


NOTES: UNLESS OTHERWISE SPECIFIED
THIS IS A CAD GENERATED DRAWING, DO NOT REVISE MANUALLY

REVISION HISTORY					
ZONE	REV	DESCRIPTION	E.C.O.NO	DATE	APPROVED
	1	ENGINEERING RELEASE			



LRJ-1106

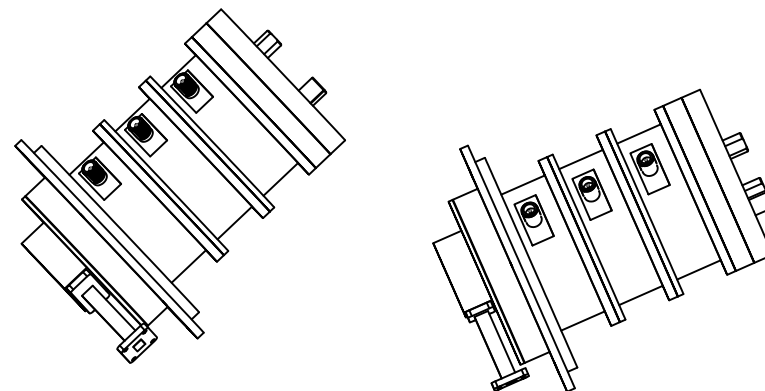
波导同轴四旋转关节 Rotary Joint

—电气技术参数Electrical Specifications—

通道Channel:	CH1	CH2	CH3	CH4
工作频率 Frequency Range:	8.6 - 9.3GHz	1.03 - 1.09GHz	1.03 - 1.09GHz	1.03 - 1.09GHz
插入损耗Insertion Loss:	0.4dB(Max)	1.2dB(Max)	1.2dB(Max)	1.2dB(Max)
插入损耗最大波动值:	/	/	/	/
电压驻波比VSWR:	1.4(Max)	1.4(Max)	1.4(Max)	1.4(Max)
驻波比最大波动值:	/	/	/	/
耐功率Power:	2kW(CW) 20kW(Peak)	50W(CW) 1.6kW(Peak)	50W(CW) 1.6kW(Peak)	50W(CW) 1.6kW(Peak)
工作温度Operation Temperature:	-50~+85°C			
存储温度Storage Temperature:	-40~+70°C			
转动速度Speed:	40rpm(Max)			
寿命Life:	50*10 ⁶ 转(Min)			

—机械技术参数Mechanical Specification—

接口Connectors:	BJ84@CH1	N-F@CH2&3&4
样式Type:	/	
重量Weight:	/	



UNLESS OTHERWISE SPECIFIED DIMENSIONS ARE MILLIMETER TOLERANCES ARE: DECIMALS ANGLES FRACTIONS .XX±0.03 ±1' ±2/5 .XXX±0.012			 www.lairmw.com sales@lairmw.com	P/N: LRJ-1106	
	Approvals	DATE		4 CHANNEL WAVEGUIDE ROTARY JOINT 波导同轴—四通道旋转关节	
HOLE DIAMETER .35 TO 3.20 3.21 TO 6.35 6.36 TO 12.70 12.71 TO 19.05 19.06 TO 25.40 25.41 TO 50.80	TOLERANCES +.05/-0.2 +.10/-0.3 +.15/-0.3 +.20/-0.3 +.25/-0.3 +.30/-0.3	DRWN	SIZE A3	CAGE NO	DWG NO.
		ENG	SCALE 3:2	UNIT mm	REV 1
		CHK	SHEET 1 OF 1		
		Q.A.			