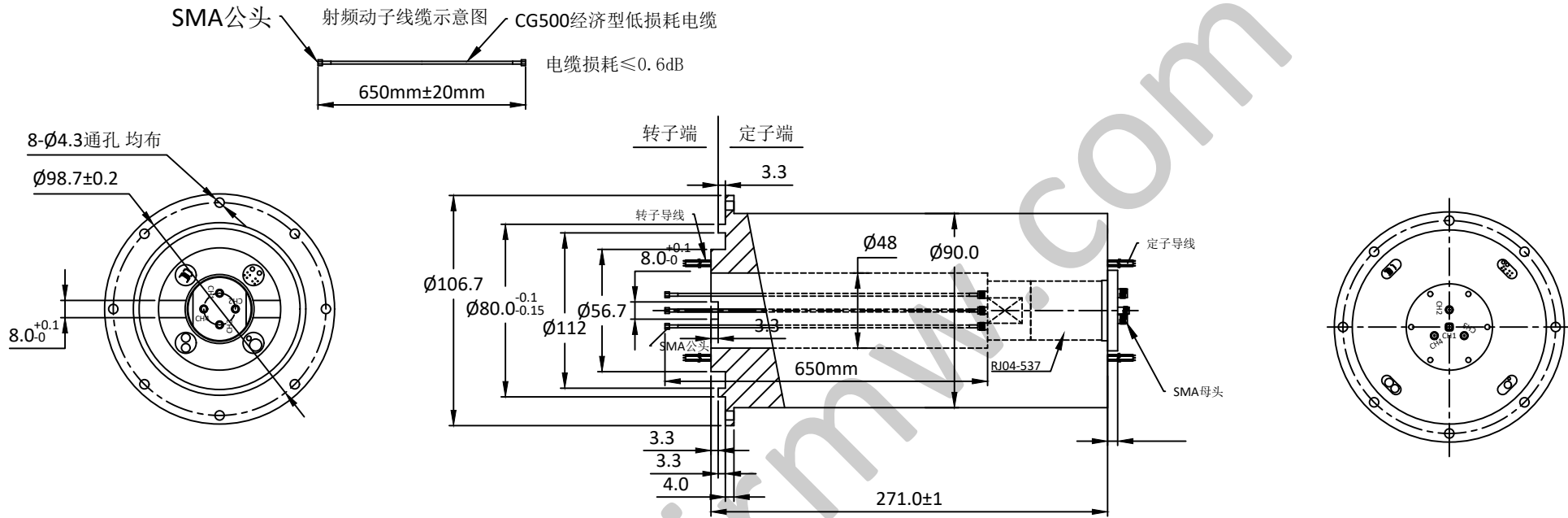


NOTES: UNLESS OTHERWISE SPECIFIED
THIS IS A CAD GENERATED DRAWING, DO NOT REVISE MANUALLY

REVISION HISTORY					
ZONE	REV	DESCRIPTION	E.C.O.NO	DATE	APPROVED
	1	ENGINEERING RELEASE			



LRJ-1107

—电气技术参数Electrical Specifications—

通道Channel:	CH1	CH2	CH3	CH4
工作频率 Frequency Range:	1 - 4GHz	1 - 4GHz	1 - 4GHz	1 - 4GHz
插入损耗Insertion Loss:	1.0dB(Max)	1.0dB(Max)	1.0dB(Max)	1.0dB(Max)
插入损耗最大波动值:	0.1dB	0.15dB	0.15dB	0.15dB
电压驻波比VSWR:	1.3(Max)	1.5(Max)	1.5(Max)	1.5(Max)
驻波比最大波动值:	0.1	0.1	0.1	0.1
耐功率Power:	50W(CW)	10W(CW)	10W(CW)	10W(CW)
工作温度Operation Temperature:	/	/	/	/
存储温度Storage Temperature:	/	/	/	/
转动速度Speed:	/	/	/	/
寿命Life:	5*10 ⁶ 转(Min)			

—机械技术参数Mechanical Specification—

接口Connectors:	SMA-F@CH1&2&3&4
样式Type:	/
重量Weight:	/

UNLESS OTHERWISE SPECIFIED DIMENSIONS ARE MILLIMETER TOLERANCES ARE: DECIMALS ANGLES FRACTIONS .XX±0.03 ±1' ±2/5 .XXX±0.012				P/N: LRJ-1107																					
		www.lairmw.com sales@lairmw.com																							
<table border="1"> <tr><td>Approvals</td><td>DATE</td></tr> <tr><td>DRWN</td><td></td></tr> <tr><td>ENG</td><td></td></tr> <tr><td>CHK</td><td></td></tr> <tr><td>Q.A.</td><td></td></tr> </table>	Approvals	DATE	DRWN		ENG		CHK		Q.A.		旋转组合														
Approvals	DATE																								
DRWN																									
ENG																									
CHK																									
Q.A.																									
<table border="1"> <tr> <td>HOLE DIAMETER</td> <td>TOLERANCES</td> </tr> <tr> <td>.35 TO 3.20</td> <td>+05/-02</td> </tr> <tr> <td>3.21 TO 6.35</td> <td>+10/-03</td> </tr> <tr> <td>6.36 TO 12.70</td> <td>+15/-03</td> </tr> <tr> <td>12.71 TO 19.05</td> <td>+20/-03</td> </tr> <tr> <td>19.06 TO 25.40</td> <td>+25/-03</td> </tr> <tr> <td>25.41 TO 50.80</td> <td>+30/-03</td> </tr> </table>	HOLE DIAMETER	TOLERANCES	.35 TO 3.20	+05/-02	3.21 TO 6.35	+10/-03	6.36 TO 12.70	+15/-03	12.71 TO 19.05	+20/-03	19.06 TO 25.40	+25/-03	25.41 TO 50.80	+30/-03	<table border="1"> <tr> <td>SIZE</td> <td>CAGE NO</td> <td>DWG NO.</td> <td>REV</td> </tr> <tr> <td>A3</td> <td></td> <td></td> <td>1</td> </tr> </table>	SIZE	CAGE NO	DWG NO.	REV	A3			1	SCALE 3:2 UNIT mm SHEET 1 OF 1	
HOLE DIAMETER	TOLERANCES																								
.35 TO 3.20	+05/-02																								
3.21 TO 6.35	+10/-03																								
6.36 TO 12.70	+15/-03																								
12.71 TO 19.05	+20/-03																								
19.06 TO 25.40	+25/-03																								
25.41 TO 50.80	+30/-03																								
SIZE	CAGE NO	DWG NO.	REV																						
A3			1																						