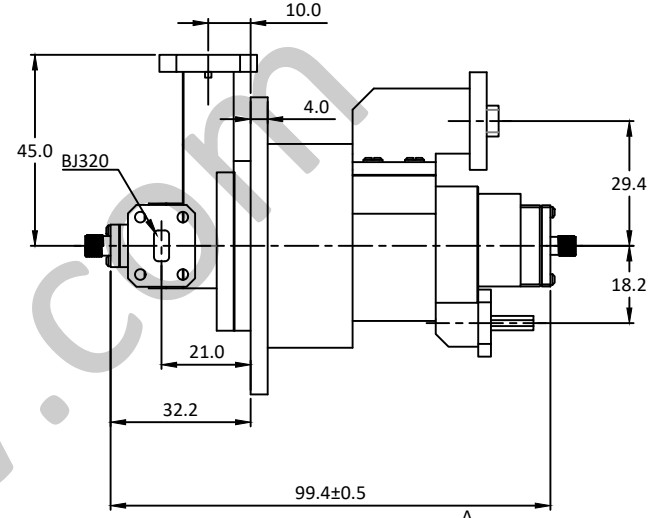
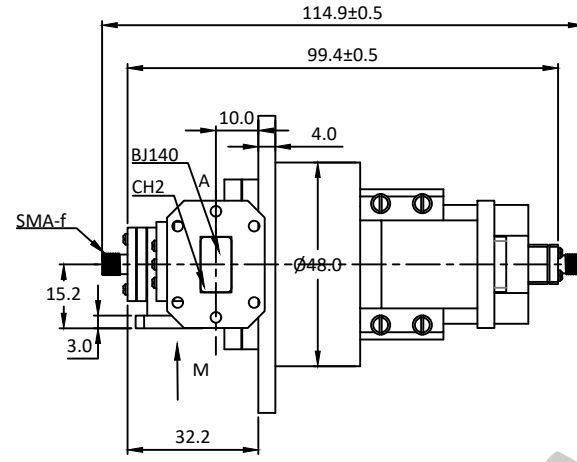
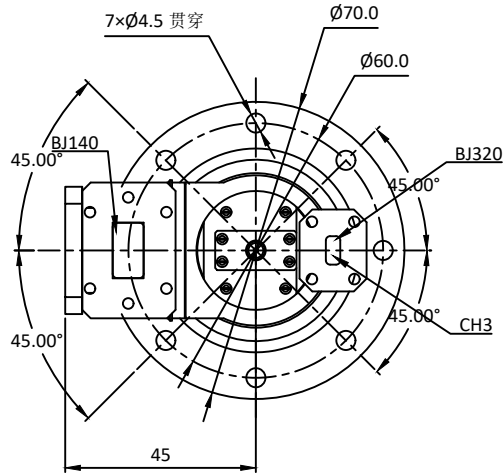


NOTES: UNLESS OTHERWISE SPECIFIED
THIS IS A CAD GENERATED DRAWING, DO NOT REVISE MANUALLY

REVISION HISTORY					
ZONE	REV	DESCRIPTION	E.C.O.NO	DATE	APPROVED
	1	ENGINEERING RELEASE			



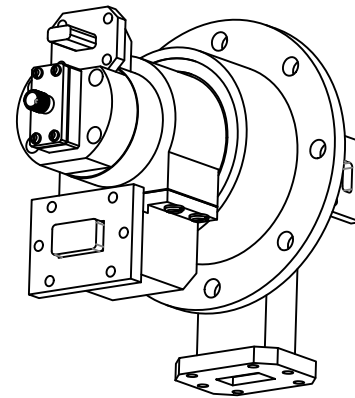
LRJ-1105

两路波导一路同轴旋转关节 Rotary Joint
—电气技术参数 Electrical Specifications—

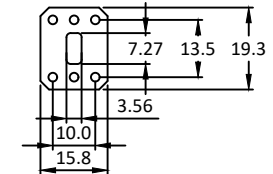
通道 Channel:	CH1	CH2	CH3
工作频率 Frequency Range:	DC - 13GHz	13.75 - 15.8GHz	29- 31GHz
插入损耗 Insertion Loss:	1.5dB (Max)	0.6dB (Max)	0.6dB (Max)
插入损耗最大波动值:	0.1dB	0.1dB	0.1dB
电压驻波比 VSWR:	1.5@DC-2GHz(Max)	1.5(Max)	1.4(Max)
驻波比最大波动值:	2.0@2-13GHz(Max)	0.1	0.1
耐功率 Power:	1W(CW)	150W(CW)	150W(CW)
工作温度 Operation Temperature:	-40~+70°C		
存储温度 Storage Temperature:	-55~+85°C		
转动速度 Speed:	60rpm(Max)		
寿命 Life:	5*10 ⁶ 转(Min)		

—机械技术参数 Mechanical Specification—

接口 Connectors:	SMA-F	BJ140(WR75)	BJ320(WR28)
样式 Type:			
重量 Weight:	350g		



视图M



UNLESS OTHERWISE SPECIFIED DIMENSIONS ARE MILLIMETER TOLERANCES ARE: DECIMALS ANGLES FRACTIONS .XX±0.1 ±1' ±2/5 .XXX±0.012			莱尔微波 www.lairmw.com sales@lairmw.com	P/N: LRJ-1105	
	Approvals	DATE		两路波导一路同轴旋转关节	
HOLE DIAMETER .35 TO 3.20 3.21 TO 6.35 6.36 TO 12.70 12.71 TO 19.05 19.06 TO 25.40 25.41 TO 50.80	TOLERANCES +05/-02 +10/-03 +15/-03 +20/-03 +25/-03 +30/-03	DRWN	ENG	CHK	Q.A.
SIZE A3			CAGE NO	DWG NO.	REV 1
SCALE 3:2			UNIT mm	SHEET 1 OF 1	