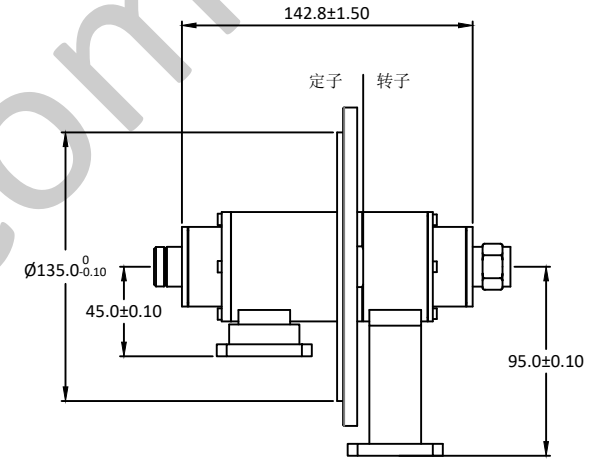
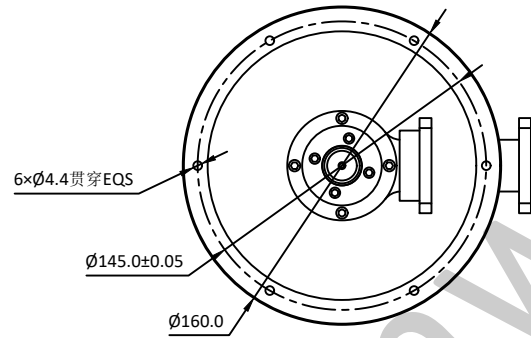
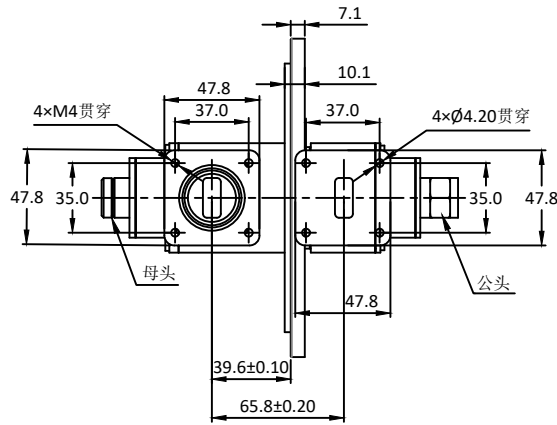


NOTES: UNLESS OTHERWISE SPECIFIED
THIS IS A CAD GENERATED DRAWING, DO NOT REVISE MANUALLY

REVISION HISTORY					
ZONE	REV	DESCRIPTION	E.C.O.NO	DATE	APPROVED
	1	ENGINEERING RELEASE			



LRJ-1100

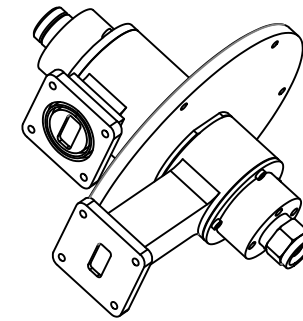
一路波导一路同轴旋转关节 Rotary Joint

—电气技术参数Electrical Specifications—

通道Channel:	CH1	CH2
工作频率 Frequency Range:	8.5 - 9.5GHz	8.5 - 9.5GHz
插入损耗Insertion Loss:	0.7dB(Max)	1.2dB(Max)
插入损耗最大波动值:	0.1dB	0.1dB
电压驻波比VSWR:	1.5(Max)	1.5(Max)
驻波比最大波动值:	0.1	0.1
耐功率Power:	350W(CW) 11kW(Peak)	10W(CW) 3kW(Peak)
工作温度Operation Temperature:	-30~+65°C	
存储温度Storage Temperature:	-45~+75°C	
转动速度Speed:	30rpm(Max)	
寿命Life:	5*10 ⁶ 转(Min)	

—机械技术参数Mechanical Specification—

接口Connectors:	BJ84-U	L16
样式Type:	/	
重量Weight:	/	



UNLESS OTHERWISE SPECIFIED DIMENSIONS ARE MILLIMETER TOLERANCES ARE: DECIMALS ANGLES FRACTIONS .XX±0.1 ±1' ±2/5 .XXX±0.03 .XXX±0.012						P/N: LRJ-1100	
		Approvals	DATE	www.lairmw.com sales@lairmw.com			
		DRWN		一路波导一路同轴旋转关节			
		ENG		SIZE	CAGE NO	DWG NO.	REV
		CHK		A3			1
		Q.A.		SCALE	UNIT	SHEET 1 OF 1	
HOLE DIAMETER .35 TO 3.20 +.05/-02 3.21 TO 6.35 +.10/-03 6.36 TO 12.70 +.15/-03 12.71 TO 19.05 +.20/-03 19.06 TO 25.40 +.25/-03 25.41 TO 50.80 +.30/-03				3:2	mm		