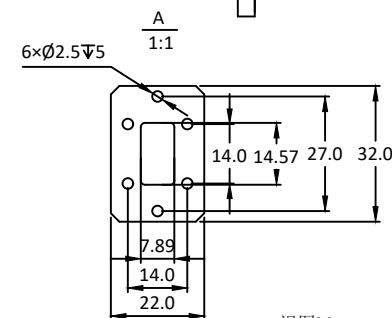
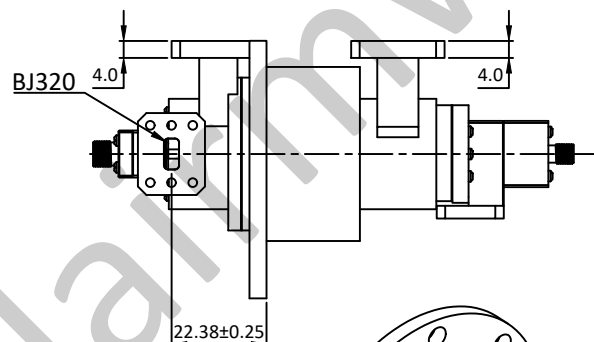
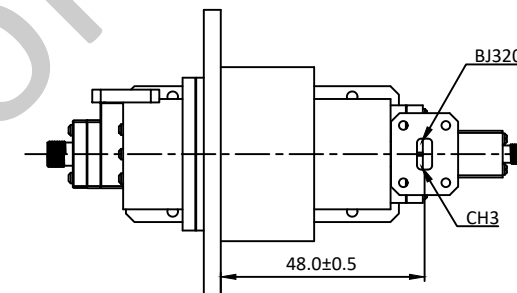
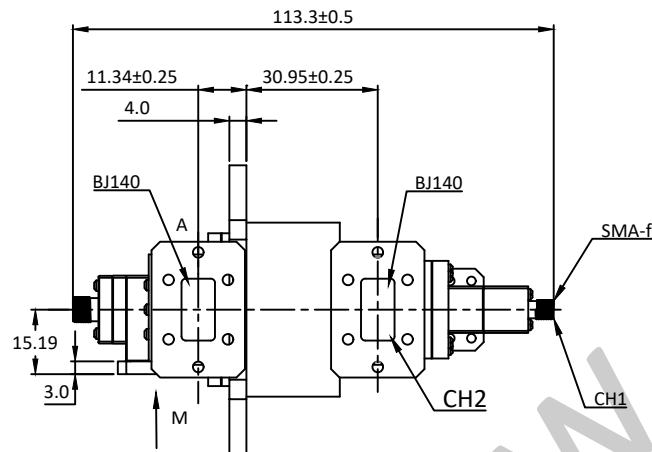
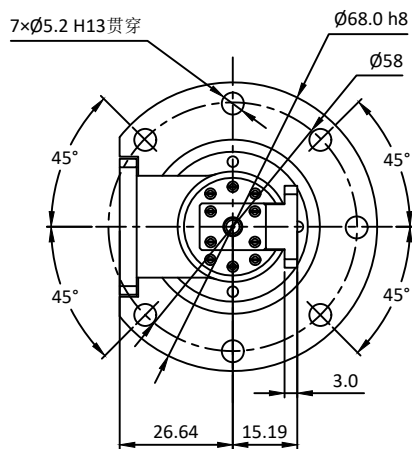
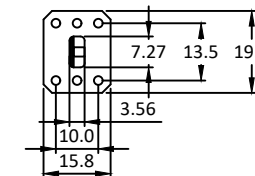


NOTES: UNLESS OTHERWISE SPECIFIED
THIS IS A CAD GENERATED DRAWING, DO NOT REVISE MANUALLY

REVISION HISTORY					
ZONE	REV	DESCRIPTION	E.C.O.NO	DATE	APPROVED
	1	ENGINEERING RELEASE			



视图M



LRJ-1104

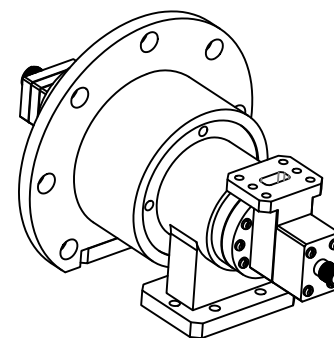
两路波导一路同轴旋转关节 Rotary Joint

—电气技术参数 Electrical Specifications—

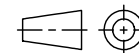
通道 Channel:	CH1	CH2	CH3
工作频率 Frequency Range:	DC - 13GHz	13.75 - 15.8GHz	29 - 31GHz
插入损耗 Insertion Loss:	1.5dB (Max)	0.6dB (Max)	0.6dB (Max)
插入损耗最大波动值:	0.1dB	0.1dB	0.1dB
电压驻波比 VSWR:	1.5@DC-2GHz (Max)	1.5 (Max)	1.4 (Max)
驻波比最大波动值:	2.0@2-13GHz (Max)	0.1	0.1
耐功率 Power:	1W (CW)	150W (CW)	150W (CW)
工作温度 Operation Temperature:	-40~+70°C		
存储温度 Storage Temperature:	-55~+85°C		
转动速度 Speed:	60rpm (Max)		
寿命 Life:	5*10 ⁶ 转 (Min)		

—机械技术参数 Mechanical Specification—

接口 Connectors:	SMA-F	BJ140 (WR75)	BJ320 (WR28)
样式 Type:			
重量 Weight:	350g		



UNLESS OTHERWISE SPECIFIED
DIMENSIONS ARE MILLIMETER
TOLERANCES ARE:
DECIMALS ANGLES FRACTIONS
.XX±0.1 ±1' ±2/5
.XXX±0.03
.XXX±0.012



Approvals

DATE

DRWN

ENG

CHK

Q.A.

HOLE DIAMETER	TOLERANCES
.35 TO 3.20	+.05/-0.02
3.21 TO 6.35	+.10/-0.03
6.36 TO 12.70	+.15/-0.03
12.71 TO 19.05	+.20/-0.03
19.06 TO 25.40	+.25/-0.03
25.41 TO 50.80	+.30/-0.03



www.lairmw.com sales@lairmw.com

P/N: LRJ-1104

两路波导一路同轴旋转关节

SIZE	CAGE NO	DWG NO.	REV
A3			1
SCALE	UNIT	SHEET 1 OF 1	
3:2	mm		