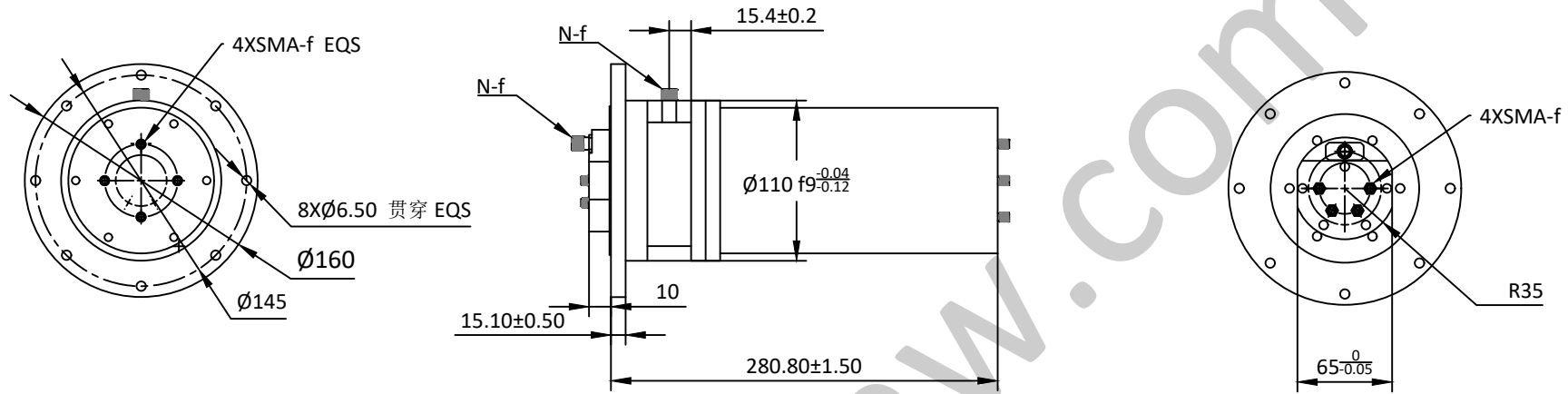


NOTES: UNLESS OTHERWISE SPECIFIED  
THIS IS A CAD GENERATED DRAWING, DO NOT REVISE MANUALLY

REVISION HISTORY					
ZONE	REV	DESCRIPTION	E.C.O.NO	DATE	APPROVED
	1	ENGINEERING RELEASE			



## LRJ-1092

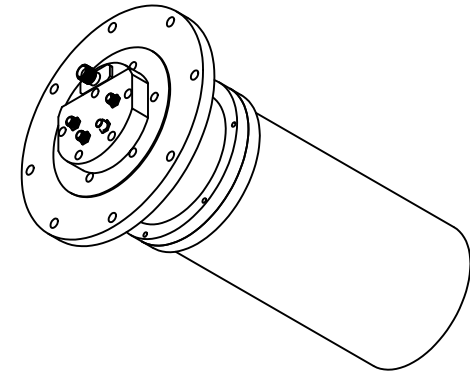
5通道同轴旋转关节 Five Channel Coax Rotary Joint

### —电气技术参数 Electrical Specifications—

通道 Channel:	CH1	CH2	CH3	CH4	CH5
工作频率 Frequency Range:	DC - 2.4GHz	DC - 2.4GHz	DC - 2.4GHz	DC - 2.4GHz	DC - 2.4GHz
插入损耗 Insertion Loss:	0.5dB(Max)	0.5dB(Max)	0.5dB(Max)	0.5dB(Max)	0.5dB(Max)
插入损耗最大波动值:	0.2dB	0.2dB	0.2dB	0.2dB	0.2dB
电压驻波比 VSWR:	1.6(Max)	1.6(Max)	1.6(Max)	1.6(Max)	1.6(Max)
驻波比最大波动值:	0.5	0.5	0.5	0.5	0.5
耐功率 Power:	20W(CW) 1kW(Peak)	20W(CW) 1kW(Peak)	20W(CW) 1kW(Peak)	50W(CW) 1kW(Peak)	600W(CW) 3kW(Peak)
工作温度 Operation Temperature:	-40~+70°C				
存储温度 Storage Temperature:	-55~+85°C				
转动速度 Speed:	30rpm(Max)				
寿命 Life:	1*10 <sup>6</sup> 转 (Min)				

### —机械技术参数 Mechanical Specification—

接口 Connectors: SMA-F(50Ω)@CH1&2&3&4&5  
 样式 Type: /  
 重量 Weight: 21kg



UNLESS OTHERWISE SPECIFIED DIMENSIONS ARE MILLIMETER TOLERANCES ARE: DECIMALS ANGLES FRACTIONS .XX±0.1 ±1' ±2/5 .XXX±0.012		莱尔微波 www.lairmw.com sales@lairmw.com		P/N: LRJ-1092	
		Approvals	DATE	Five CHANNEL COAX ROTARY JOINT 5通道同轴旋转关节	
HOLE DIAMETER .35 TO 3.20 3.21 TO 6.35 6.36 TO 12.70 12.71 TO 19.05 19.06 TO 25.40 25.41 TO 50.80	TOLERANCES +.05/-0.2 +.10/-0.3 +.15/-0.3 +.20/-0.3 +.25/-0.3 +.30/-0.3	DRWN		SIZE A3	CAGE NO
		ENG		SCALE 3:2	DWG NO.
		CHK		UNIT mm	REV 1
		Q.A.		SHEET 1 OF 1	