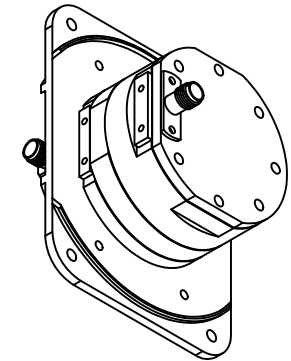
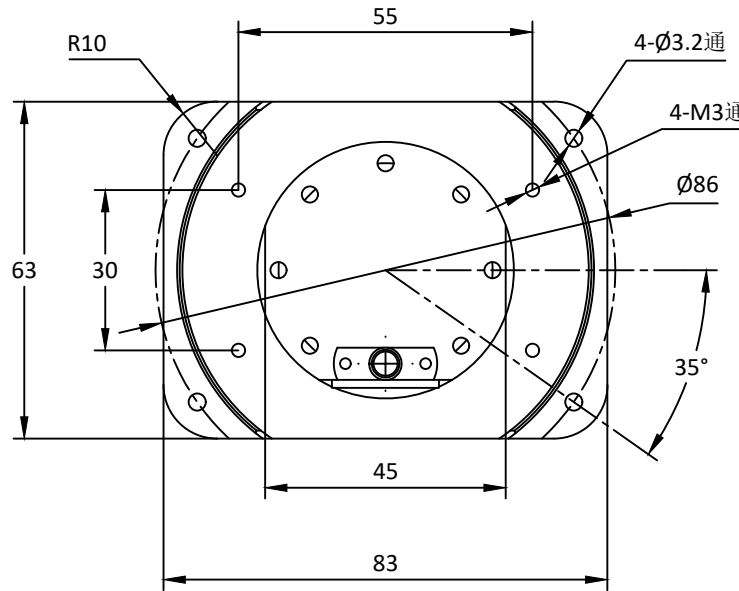
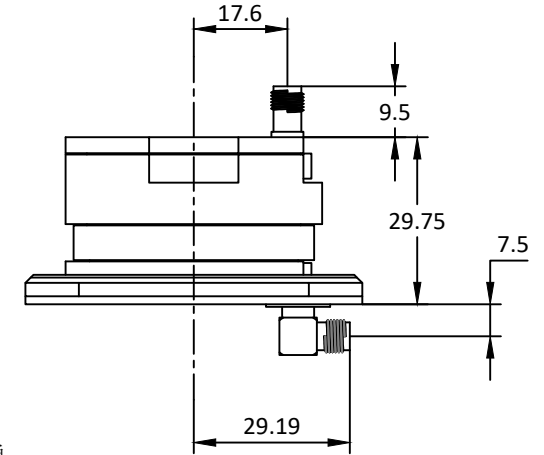
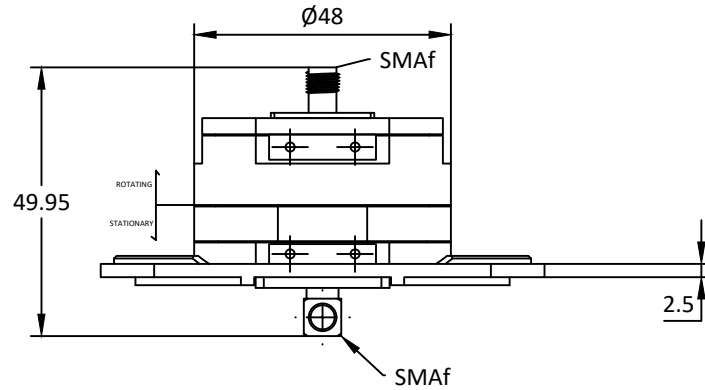


NOTES: UNLESS OTHERWISE SPECIFIED
THIS IS A CAD GENERATED DRAWING, DO NOT REVISE MANUALLY

| REVISION HISTORY | | | | | |
|------------------|-----|---------------------|----------|------|----------|
| ZONE | REV | DESCRIPTION | E.C.O.NO | DATE | APPROVED |
| | 1 | ENGINEERING RELEASE | | | |



LRJ-1096

5.95 - 6.6GHz 旋转关节 Rotary Joint

—电气技术参数 Electrical Specifications—

工作频率 Frequency Range:

插入损耗 Insertion Loss:

插入损耗最大波动值:

电压驻波比 VSWR:

驻波比最大波动值:

耐功率 Power

工作温度 Operation Temperature:

存储温度 Storage Temperature:

转动速度 Speed:

寿命 Life:

5.95 - 6.6GHz & 6.95 - 7.35GHz

1.2dB(Max)

0.3dB

1.4(Max)

0.2

20W(CW)

3KW(Peak)

-40~+70°C

-55~+85°C

50rpm(Max)

1*10⁶转(Min)

—机械技术参数 Mechanical Specification—

接口 Connectors:

样式 Type:

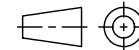
重量 Weight:

SMA-F

L

160g

UNLESS OTHERWISE SPECIFIED
DIMENSIONS ARE MILLIMETER
TOLERANCES ARE:
DECIMALS ANGLES FRACTIONS
.XX±0.1 ±1' ±2/5
.XXX±0.03
.XXX±0.012



Approvals

DATE

DRWN

ENG

CHK

Q.A.



www.lairmw.com sales@lairmw.com

P/N: LRJ-1096

SINGLE CHANNEL ROTARY JOINT
单通道旋转关节

| SIZE | CAGE NO | DWG NO. | REV |
|-----------|---------|--------------|-----|
| A3 | | | 1 |
| SCALE 3:2 | UNIT mm | SHEET 1 OF 1 | |