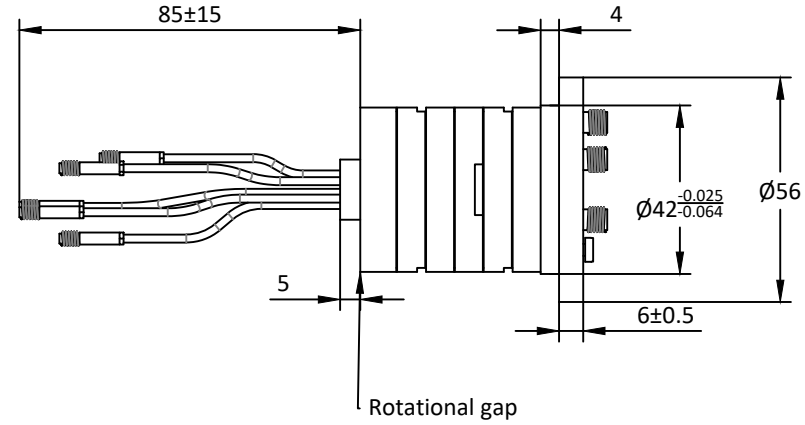
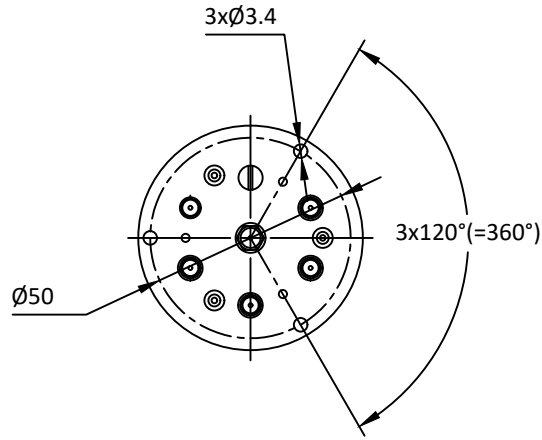


NOTES: UNLESS OTHERWISE SPECIFIED
THIS IS A CAD GENERATED DRAWING, DO NOT REVISE MANUALLY

REVISION HISTORY					
ZONE	REV	DESCRIPTION	E.C.O.NO	DATE	APPROVED
	1	ENGINEERING RELEASE			



LRJ-1091

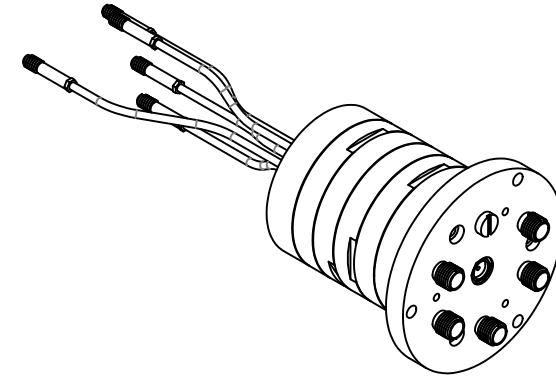
5通道旋转关节 Five Channel Rotary Joint

—电气技术参数 Electrical Specifications—

通道 Channel:	CH1-5
工作频率 Frequency Range:	DC- 3GHz
插入损耗 Insertion Loss:	0.7dB@DC-2.5GHz/1.0@2.5-3.0GHz
插入损耗最大波动值:	0.2dB@DC-2.5GHz/0.5dB@2.5-3.0GHz
电压驻波比 VSWR:	1.7@DC-2.5GHz/2.4@2.5-3.0GHz
驻波比最大波动值:	0.5@DC-2.5GHz/1.0@2.5-3.0GHz
耐功率 Power	50W@DC-1.0GHz/35W@1.0-2.5GHz/25W@2.5-3.0GHz(CW)
	1kW(Peak)
工作温度 Operation Temperature:	-40~+85°C
存储温度 Storage Temperature:	-55~+85°C
转动速度 Speed:	60rpm(Max)
寿命 Life:	1*10 ⁶ 转(Min)

—机械技术参数 Mechanical Specification—

接口 Connectors:	SMA-F
样式 Type:	I
重量 Weight:	230g



UNLESS OTHERWISE SPECIFIED DIMENSIONS ARE MILLIMETER TOLERANCES ARE: DECIMALS ANGLES FRACTIONS .XX±0.03 ±1° ±2/5 .XXX±0.012				莱尔微波 www.lairmw.com sales@lairmw.com		P/N: LRJ-1091	
				Approvals DATE		FIVE CHANNEL COAX ROTARY JOINT 5通道同轴旋转关节	
HOLE DIAMETER .35 TO 3.20 3.21 TO 6.35 6.36 TO 12.70 12.71 TO 19.05 19.06 TO 25.40 25.41 TO 50.80		TOLERANCES +.05/-0.02 +.10/-0.03 +.15/-0.03 +.20/-0.03 +.25/-0.03 +.30/-0.03		DRWN ENG CHK Q.A.		SIZE A3 SCALE 3:2	
				CAGE NO UNIT mm		DWG NO. SHEET 1 OF 1	
				REV 1			