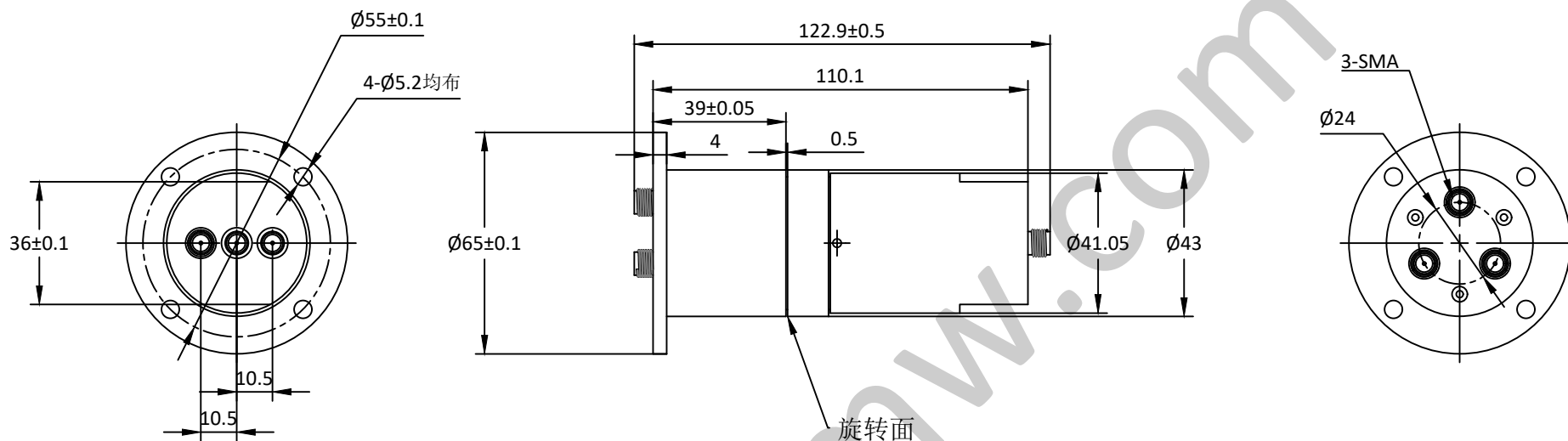


NOTES: UNLESS OTHERWISE SPECIFIED
THIS IS A CAD GENERATED DRAWING, DO NOT REVISE MANUALLY

REVISION HISTORY					
ZONE	REV	DESCRIPTION	E.C.O.NO	DATE	APPROVED
	1	ENGINEERING RELEASE			



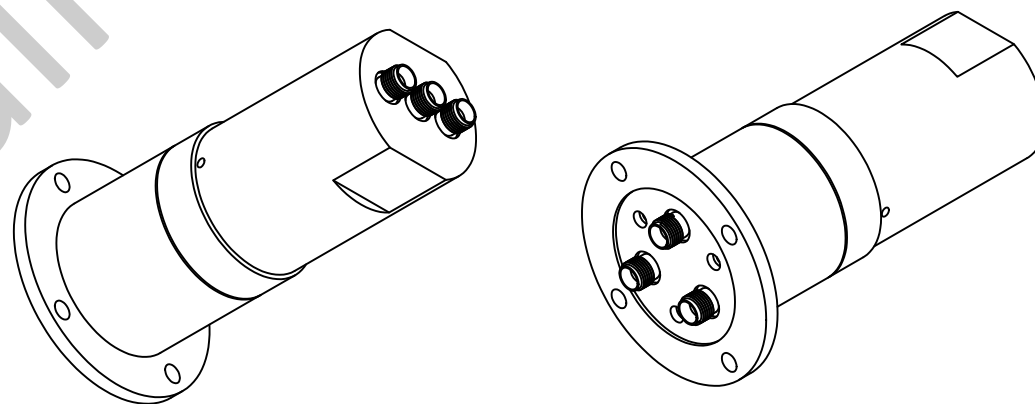
LRJ-1082

3通道同轴旋转关节 Three Channel Coax Rotary Joint
—电气技术参数 Electrical Specifications—

通道 Channel:	CH1-3
工作频率 Frequency Range:	8 - 12GHz
插入损耗 Insertion Loss:	2dB(Max)
插入损耗最大波动值:	/
电压驻波比 VSWR:	2(Max)
驻波比最大波动值:	/
耐功率 Power:	10W(CW) 100W(Peak)
工作温度 Operation Temperature:	-40~+70°C
存储温度 Storage Temperature:	/
转动速度 Speed:	60rpm(Max)
寿命 Life:	5×10^6 转 (Min)

—机械技术参数 Mechanical Specification—

接口 Connectors:	SMA
样式 Type:	/
重量 Weight:	295g



UNLESS OTHERWISE SPECIFIED DIMENSIONS ARE MILLIMETER TOLERANCES ARE: DECIMALS ANGLES FRACTIONS .XX±0.1 ±1' ±2/5 .XXX±0.03 .XXX±0.012				莱尔微波 www.lairmw.com sales@lairmw.com		P/N: LRJ-1082																									
<table border="1"> <tr> <td>Approvals</td> <td>DATE</td> </tr> <tr> <td>DRWN</td> <td></td> </tr> <tr> <td>ENG</td> <td></td> </tr> <tr> <td>CHK</td> <td></td> </tr> <tr> <td>Q.A.</td> <td></td> </tr> </table>		Approvals	DATE	DRWN		ENG		CHK		Q.A.		<table border="1"> <tr> <td colspan="2">THREE CHANNEL COAX ROTARY JOINT 3通道同轴旋转关节</td> </tr> <tr> <td>SIZE</td> <td>A3</td> </tr> <tr> <td>CAGE NO</td> <td></td> </tr> <tr> <td>DWG NO.</td> <td></td> </tr> <tr> <td>REV</td> <td>1</td> </tr> </table>		THREE CHANNEL COAX ROTARY JOINT 3通道同轴旋转关节		SIZE	A3	CAGE NO		DWG NO.		REV	1	<table border="1"> <tr> <td>SCALE</td> <td>3:2</td> </tr> <tr> <td>UNIT</td> <td>mm</td> </tr> <tr> <td colspan="2">SHEET 1 OF 1</td> </tr> </table>		SCALE	3:2	UNIT	mm	SHEET 1 OF 1	
Approvals	DATE																														
DRWN																															
ENG																															
CHK																															
Q.A.																															
THREE CHANNEL COAX ROTARY JOINT 3通道同轴旋转关节																															
SIZE	A3																														
CAGE NO																															
DWG NO.																															
REV	1																														
SCALE	3:2																														
UNIT	mm																														
SHEET 1 OF 1																															
<table border="1"> <tr> <td>HOLE DIAMETER</td> <td>TOLERANCES</td> </tr> <tr> <td>.35 TO 3.20</td> <td>+05/-02</td> </tr> <tr> <td>3.21 TO 6.35</td> <td>+10/-03</td> </tr> <tr> <td>6.36 TO 12.70</td> <td>+15/-03</td> </tr> <tr> <td>12.71 TO 19.05</td> <td>+20/-03</td> </tr> <tr> <td>19.06 TO 25.40</td> <td>+25/-03</td> </tr> <tr> <td>25.41 TO 50.80</td> <td>+30/-03</td> </tr> </table>		HOLE DIAMETER	TOLERANCES	.35 TO 3.20	+05/-02	3.21 TO 6.35	+10/-03	6.36 TO 12.70	+15/-03	12.71 TO 19.05	+20/-03	19.06 TO 25.40	+25/-03	25.41 TO 50.80	+30/-03																
HOLE DIAMETER	TOLERANCES																														
.35 TO 3.20	+05/-02																														
3.21 TO 6.35	+10/-03																														
6.36 TO 12.70	+15/-03																														
12.71 TO 19.05	+20/-03																														
19.06 TO 25.40	+25/-03																														
25.41 TO 50.80	+30/-03																														