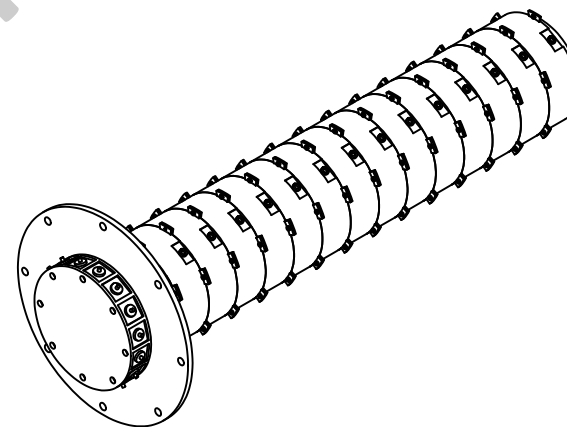
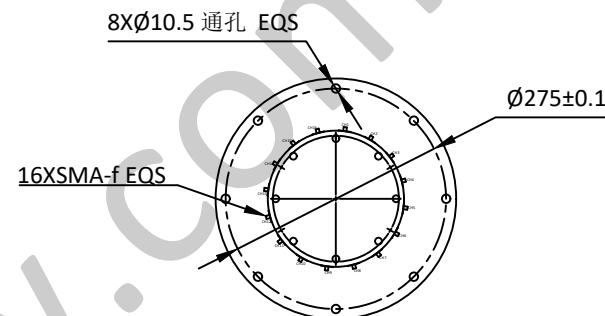
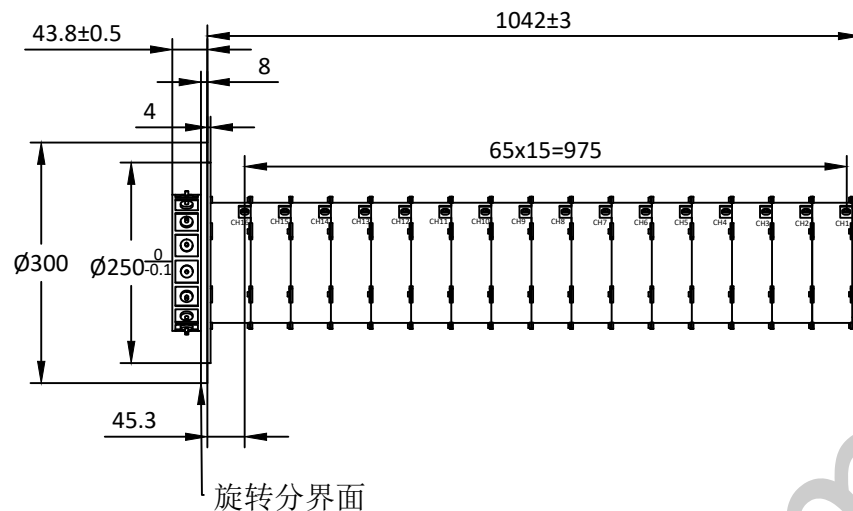


NOTES: UNLESS OTHERWISE SPECIFIED  
THIS IS A CAD GENERATED DRAWING, DO NOT REVISE MANUALLY

REVISION HISTORY					
ZONE	REV	DESCRIPTION	E.C.O.NO	DATE	APPROVED
	1	ENGINEERING RELEASE			



## LRJ-1095

16通道旋转关节 16 Channel Rotary Joint  
—电气技术参数 Electrical Specifications—

通道 Channel:	CH1-16
工作频率 Frequency Range:	0.5 - 0.8GHz
插入损耗 Insertion Loss:	1.2dB(Max)
插入损耗最大波动值:	0.15dB
电压驻波比 VSWR:	1.5(Max)
驻波比最大波动值:	0.1
耐功率 Power:	10WCW
	/
工作温度 Operation Temperature:	-40~+70°C
存储温度 Storage Temperature:	-55~+85°C
转动速度 Speed:	20rpm(Max)
寿命 Life:	5*10 <sup>6</sup> 转 (Min)

—机械技术参数 Mechanical Specification—

接口 Connectors:	SMA-F
样式 Type:	/
重量 Weight:	40kg

UNLESS OTHERWISE SPECIFIED DIMENSIONS ARE MILLIMETER TOLERANCES ARE: DECIMALS ANGLES FRACTIONS .XX±0.03 ±1' ±2/5 .XXX±0.012				莱尔微波 www.lairmw.com sales@lairmw.com		P/N: LRJ-1095	
HOLE DIAMETER .35 TO 3.20 3.21 TO 6.35 6.36 TO 12.70 12.71 TO 19.05 19.06 TO 25.40 25.41 TO 50.80		TOLERANCES +.05/-0.2 +.10/-0.3 +.15/-0.3 +.20/-0.3 +.25/-0.3 +.30/-0.3		Approvals DATE		16 CHANNEL ROTARY JOINT 16通道旋转关节	
DRWN		ENG		CHK		Q.A.	
SIZE A3		CAGE NO		DWG NO.		REV 1	
SCALE 3:2		UNIT mm		SHEET 1 OF 1			