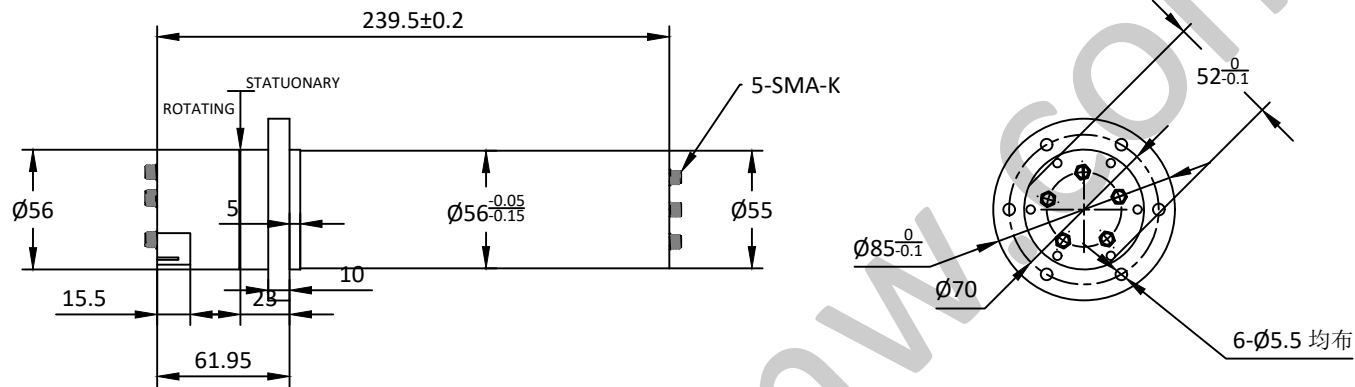


NOTES: UNLESS OTHERWISE SPECIFIED  
THIS IS A CAD GENERATED DRAWING, DO NOT REVISE MANUALLY

REVISION HISTORY					
ZONE	REV	DESCRIPTION	E.C.O.NO	DATE	APPROVED
	1	ENGINEERING RELEASE			



## LRJ-1093

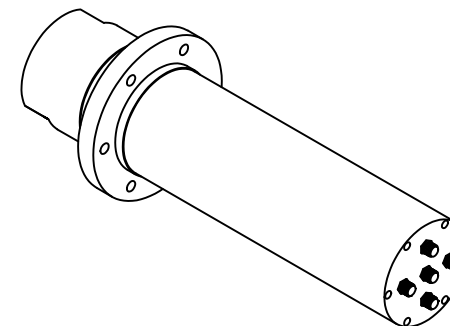
5通道旋转关节 Five Channel Rotary Joint

—电气技术参数 Electrical Specifications—

通道 Channel:	CH1-5
工作频率 Frequency Range:	3.5- 6.7GHz
插入损耗 Insertion Loss:	1.7dB(Max)
插入损耗最大波动值:	0.3dB
电压驻波比 VSWR:	1.65(Max)
驻波比最大波动值:	0.25
耐功率 Power	20WCW 2kW(Peak)
工作温度 Operation Temperature:	-40~+60°C
存储温度 Storage Temperature:	-55~+70°C
转动速度 Speed:	60rpm(Max)
寿命 Life:	5*10 <sup>6</sup> 转 (Min)

—机械技术参数 Mechanical Specification—

接口 Connectors:	SMA-K
样式 Type:	/
重量 Weight:	/



UNLESS OTHERWISE SPECIFIED DIMENSIONS ARE MILLIMETER TOLERANCES ARE: DECIMALS ANGLES FRACTIONS .XX±0.1 ±1' ±2/5 .XXX±0.03 .XXX±0.012						莱尔微波 www.lairmw.com sales@lairmw.com		P/N: LRJ-1093											
HOLE DIAMETER .35 TO 3.20 3.21 TO 6.35 6.36 TO 12.70 12.71 TO 19.05 19.06 TO 25.40 25.41 TO 50.80		TOLERANCES +05/-02 +10/-03 +15/-03 +20/-03 +25/-03 +30/-03		<table border="1"> <tr><td>Approvals</td><td>DATE</td></tr> <tr><td>DRWN</td><td></td></tr> <tr><td>ENG</td><td></td></tr> <tr><td>CHK</td><td></td></tr> <tr><td>Q.A.</td><td></td></tr> </table>		Approvals	DATE	DRWN		ENG		CHK		Q.A.		FIVE CHANNEL COAX ROTARY JOINT 5通道同轴旋转关节			
Approvals	DATE																		
DRWN																			
ENG																			
CHK																			
Q.A.																			
SIZE A3		CAGE NO		DWG NO.		REV 1													
SCALE 3:2		UNIT mm		SHEET 1 OF 1															