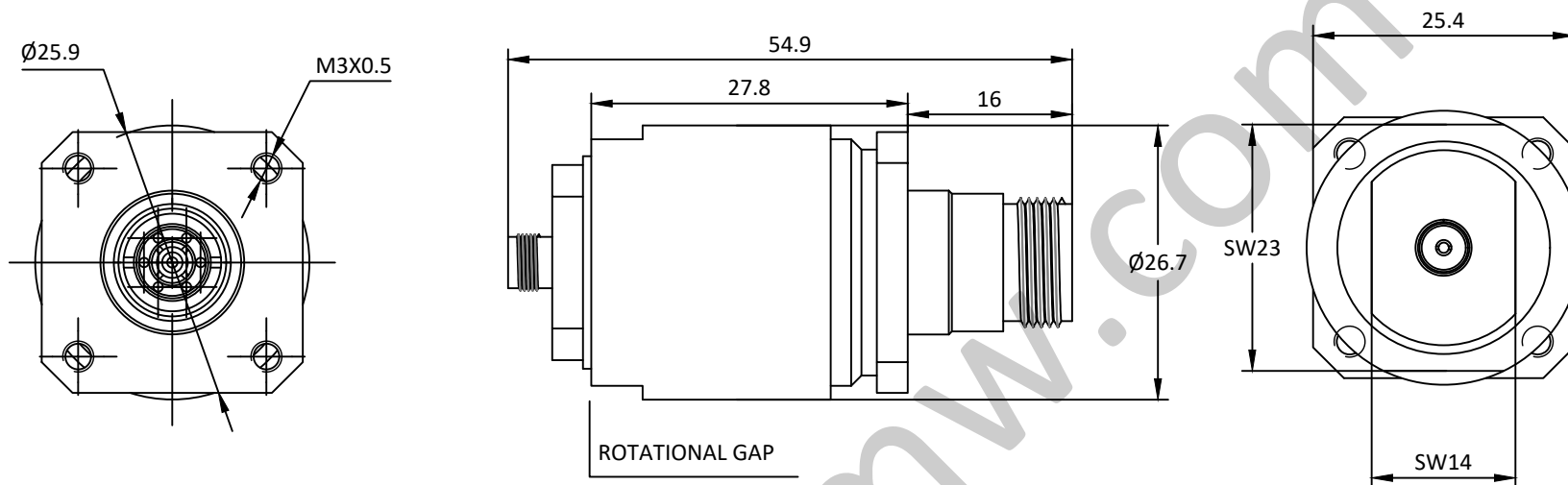


NOTES: UNLESS OTHERWISE SPECIFIED  
THIS IS A CAD GENERATED DRAWING, DO NOT REVISE MANUALLY

REVISION HISTORY					
ZONE	REV	DESCRIPTION	E.C.O.NO	DATE	APPROVED
	1	ENGINEERING RELEASE			



## LRJ-1063

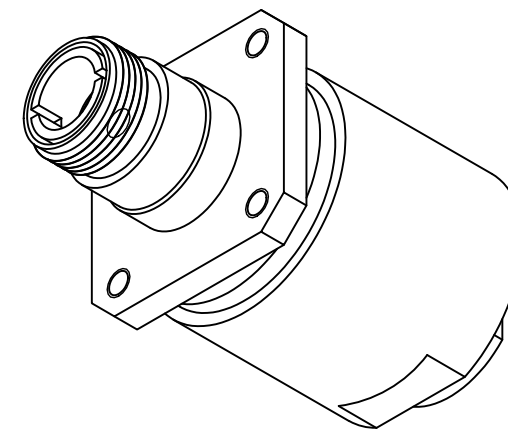
DC - 18GHz 旋转关节 Rotary Joint

### —电气技术参数 Electrical Specifications—

工作频率 Frequency Range:	DC - 18GHz
插入损耗 Insertion Loss:	0.4dB(Max)
插入损耗最大波动值:	0.05dB(Max)
电压驻波比 VSWR:	1.3 (Max)
驻波比最大波动值:	0.05(Max)
耐功率 Power:	200W@DC-2GHz/100W@2-4.5GHz/50W@4.5-8GHz/30W@8-18GHz(CW) 10kW(Peak)
工作温度 Operation Temperature:	-40~+70°C
存储温度 Storage Temperature:	-55~+85°C
转动速度 Speed:	30rpm(Max)
寿命 Life:	5*10 <sup>6</sup> 转 (Min)

### —机械技术参数 Mechanical Specification—

接口 Connectors:	3.5mm/N-F
样式 Type:	I
重量 Weight:	130g



UNLESS OTHERWISE SPECIFIED DIMENSIONS ARE MILLIMETER TOLERANCES ARE: DECIMALS ANGLES FRACTIONS .X±0.1 ±1' ±2/5 .XX±0.03 .XXX±0.012				莱尔微波 www.lairmw.com sales@lairmw.com		P/N: LRJ-1063																													
<table border="1"> <tr> <td>Approvals</td> <td>DATE</td> </tr> <tr> <td>DRWN</td> <td></td> </tr> <tr> <td>ENG</td> <td></td> </tr> <tr> <td>CHK</td> <td></td> </tr> <tr> <td>Q.A.</td> <td></td> </tr> </table>		Approvals	DATE	DRWN		ENG		CHK		Q.A.		<table border="1"> <tr> <td colspan="4">SINGLE CHANNEL COAX ROTARY JOINT 单通道同轴旋转关节</td> </tr> <tr> <td>SIZE</td> <td>CAGE NO</td> <td>DWG NO.</td> <td>REV</td> </tr> <tr> <td>A3</td> <td></td> <td></td> <td>1</td> </tr> <tr> <td>SCALE</td> <td>UNIT</td> <td colspan="2">SHEET 1 OF 1</td> </tr> <tr> <td>3:2</td> <td>mm</td> <td colspan="2"></td> </tr> </table>		SINGLE CHANNEL COAX ROTARY JOINT 单通道同轴旋转关节				SIZE	CAGE NO	DWG NO.	REV	A3			1	SCALE	UNIT	SHEET 1 OF 1		3:2	mm				
Approvals	DATE																																		
DRWN																																			
ENG																																			
CHK																																			
Q.A.																																			
SINGLE CHANNEL COAX ROTARY JOINT 单通道同轴旋转关节																																			
SIZE	CAGE NO	DWG NO.	REV																																
A3			1																																
SCALE	UNIT	SHEET 1 OF 1																																	
3:2	mm																																		