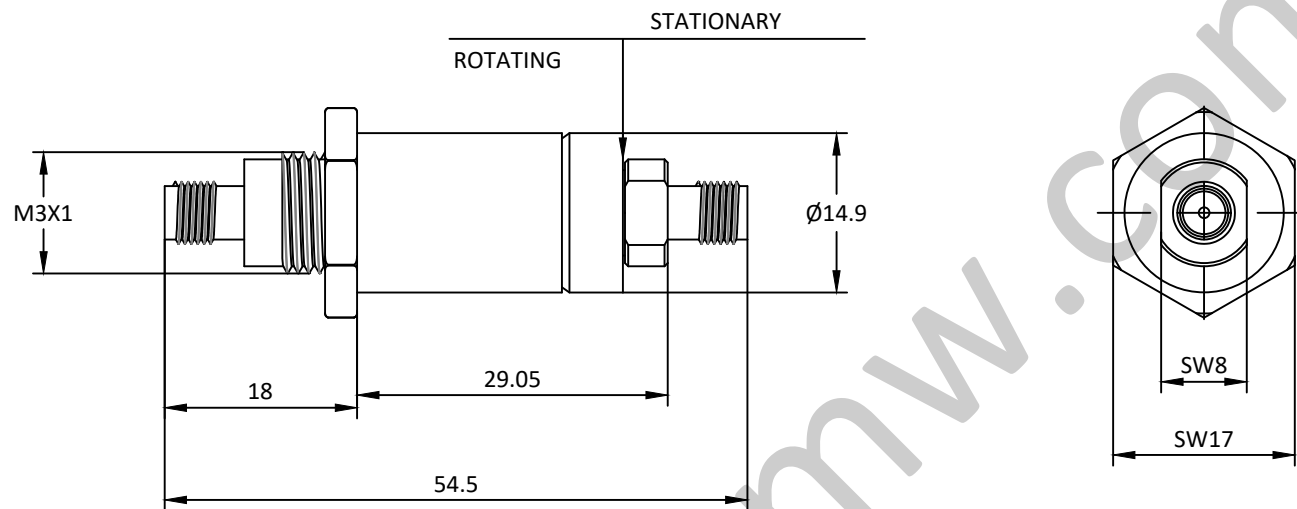


NOTES: UNLESS OTHERWISE SPECIFIED  
THIS IS A CAD GENERATED DRAWING, DO NOT REVISE MANUALLY

REVISION HISTORY					
ZONE	REV	DESCRIPTION	E.C.O.NO	DATE	APPROVED
	1	ENGINEERING RELEASE			



## LRJ-1059

DC - 18GHz 旋转关节 Rotary Joint

### —电气技术参数 Electrical Specifications—

工作频率 Frequency Range:

DC - 18GHz

插入损耗 Insertion Loss:

0.3dB@DC-10GHz/0.6@10-18GHz(Max)

插入损耗最大波动值:

/

电压驻波比 VSWR:

1.3@DC-10GHz(Max)/1.4@10-18GHz

驻波比最大波动值:

0.1

耐功率 Power:

150W@1GHz/40W@15GHz/30W@18GHz(CW)

工作温度 Operation Temperature:

3KW(Peak)

-40~+70°C

存储温度 Storage Temperature:

-55~+85°C

转动速度 Speed:

200rpm(Max)

寿命 Life:

5\*10<sup>6</sup>转(Min)

### —机械技术参数 Mechanical Specification—

接口 Connectors:

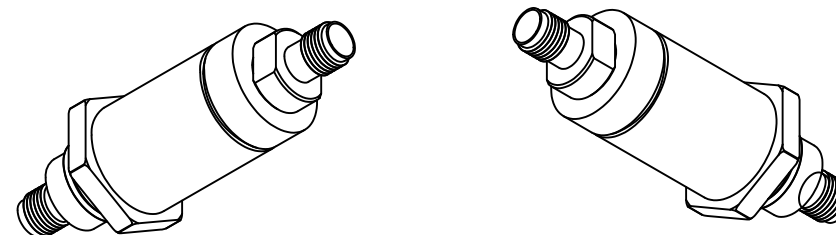
SMA-F

样式 Type:

|

重量 Weight:

50g



UNLESS OTHERWISE SPECIFIED DIMENSIONS ARE MILLIMETER TOLERANCES ARE: DECIMALS ANGLES FRACTIONS .XX±0.1 ±1' ±2/5 .XXX±0.03 .XXX±0.012				 www.lairmw.com sales@lairmw.com		P/N: LRJ-1059	
HOLE DIAMETER .35 TO 3.20 3.21 TO 6.35 6.36 TO 12.70 12.71 TO 19.05 19.06 TO 25.40 25.41 TO 50.80		TOLERANCES +.05/-0.2 +.10/-0.3 +.15/-0.3 +.20/-0.3 +.25/-0.3 +.30/-0.3		Approvals DATE		SINGLE CHANNEL COAX ROTARY JOINT 单通道同轴旋转关节	
		DRWN ENG CHK Q.A.		SIZE A3		CAGE NO DWG NO. REV 1	
				SCALE 3:2		UNIT mm SHEET 1 OF 1	