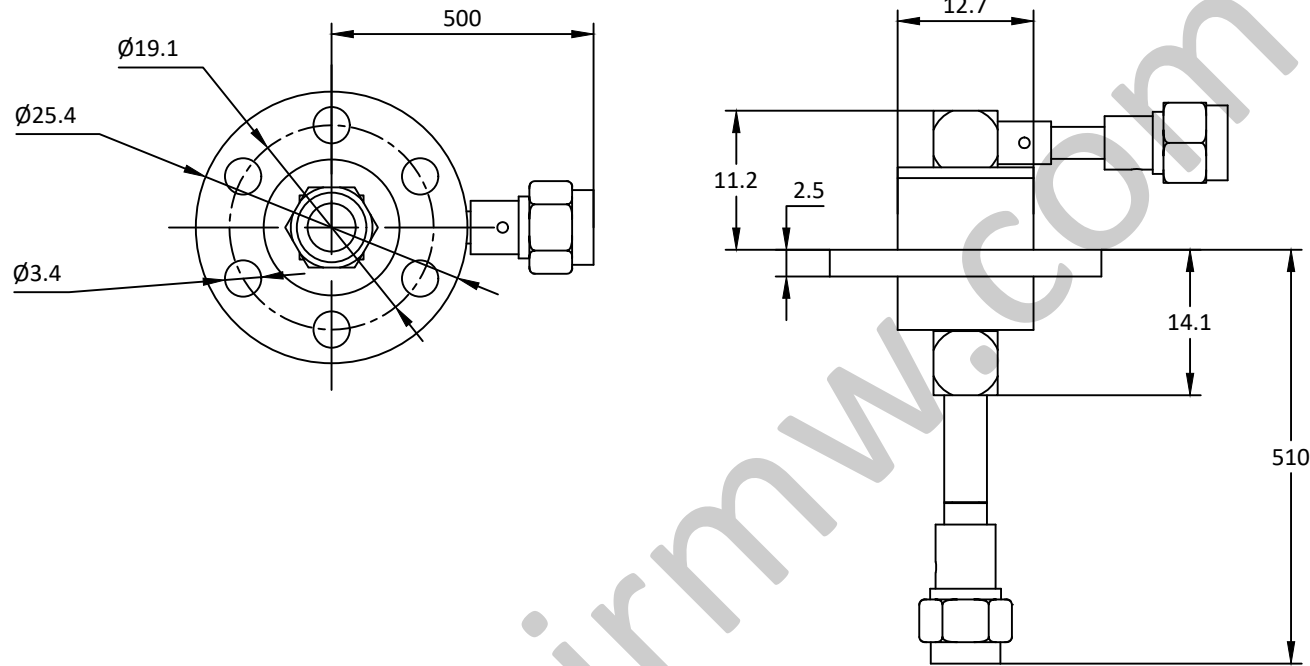


NOTES: UNLESS OTHERWISE SPECIFIED
THIS IS A CAD GENERATED DRAWING, DO NOT REVISE MANUALLY

REVISION HISTORY					
ZONE	REV	DESCRIPTION	E.C.O.NO	DATE	APPROVED
	1	ENGINEERING RELEASE			



LRJ-1061

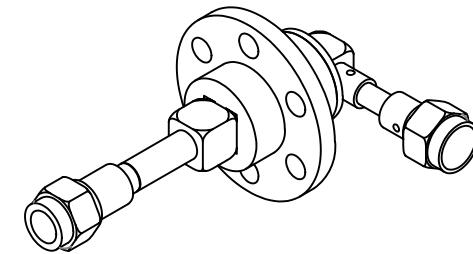
DC - 3GHz 旋转关节 Rotary Joint

—电气技术参数 Electrical Specifications—

工作频率 Frequency Range:	DC - 3GHz
插入损耗 Insertion Loss:	1.9dB(Max)
插入损耗最大波动值:	0.2dB(Max)
电压驻波比 VSWR:	1.35 (Max)
驻波比最大波动值:	0.05(Max)
耐功率 Power:	18W(CW)
工作温度 Operation Temperature:	/
存储温度 Storage Temperature:	-40~+70°C
转动速度 Speed:	30rpm(Max)
寿命 Life:	0.25*10 ⁵ 转(Min)

—机械技术参数 Mechanical Specification—

接口 Connectors:	SMA-F
样式 Type:	/
重量 Weight:	/



UNLESS OTHERWISE SPECIFIED DIMENSIONS ARE MILLIMETER TOLERANCES ARE: DECIMALS ANGLES FRACTIONS .X±0.1 ±1' ±2/5 .XX±0.03 .XXX±0.012						莱尔微波 www.lairmw.com sales@lairmw.com		P/N: LRJ-1061																							
<table border="1"> <tr> <td>HOLE DIAMETER</td> <td>TOLERANCES</td> </tr> <tr> <td>.35 TO 3.20</td> <td>+05/-02</td> </tr> <tr> <td>3.21 TO 6.35</td> <td>+10/-03</td> </tr> <tr> <td>6.36 TO 12.70</td> <td>+15/-03</td> </tr> <tr> <td>12.71 TO 19.05</td> <td>+20/-03</td> </tr> <tr> <td>19.06 TO 25.40</td> <td>+25/-03</td> </tr> <tr> <td>25.41 TO 50.80</td> <td>+30/-03</td> </tr> </table>		HOLE DIAMETER	TOLERANCES	.35 TO 3.20	+05/-02	3.21 TO 6.35	+10/-03	6.36 TO 12.70	+15/-03	12.71 TO 19.05	+20/-03	19.06 TO 25.40	+25/-03	25.41 TO 50.80	+30/-03	<table border="1"> <tr> <td>Approvals</td> <td>DATE</td> </tr> <tr> <td>DRWN</td> <td></td> </tr> <tr> <td>ENG</td> <td></td> </tr> <tr> <td>CHK</td> <td></td> </tr> <tr> <td>Q.A.</td> <td></td> </tr> </table>		Approvals	DATE	DRWN		ENG		CHK		Q.A.		SINGLE CHANNEL COAX ROTARY JOINT 单通道同轴旋转关节			
HOLE DIAMETER	TOLERANCES																														
.35 TO 3.20	+05/-02																														
3.21 TO 6.35	+10/-03																														
6.36 TO 12.70	+15/-03																														
12.71 TO 19.05	+20/-03																														
19.06 TO 25.40	+25/-03																														
25.41 TO 50.80	+30/-03																														
Approvals	DATE																														
DRWN																															
ENG																															
CHK																															
Q.A.																															
		SIZE	CAGE NO	DWG NO.	REV																										
		A3			1																										
		SCALE	UNIT	SHEET 1 OF 1																											
		3:2	mm																												