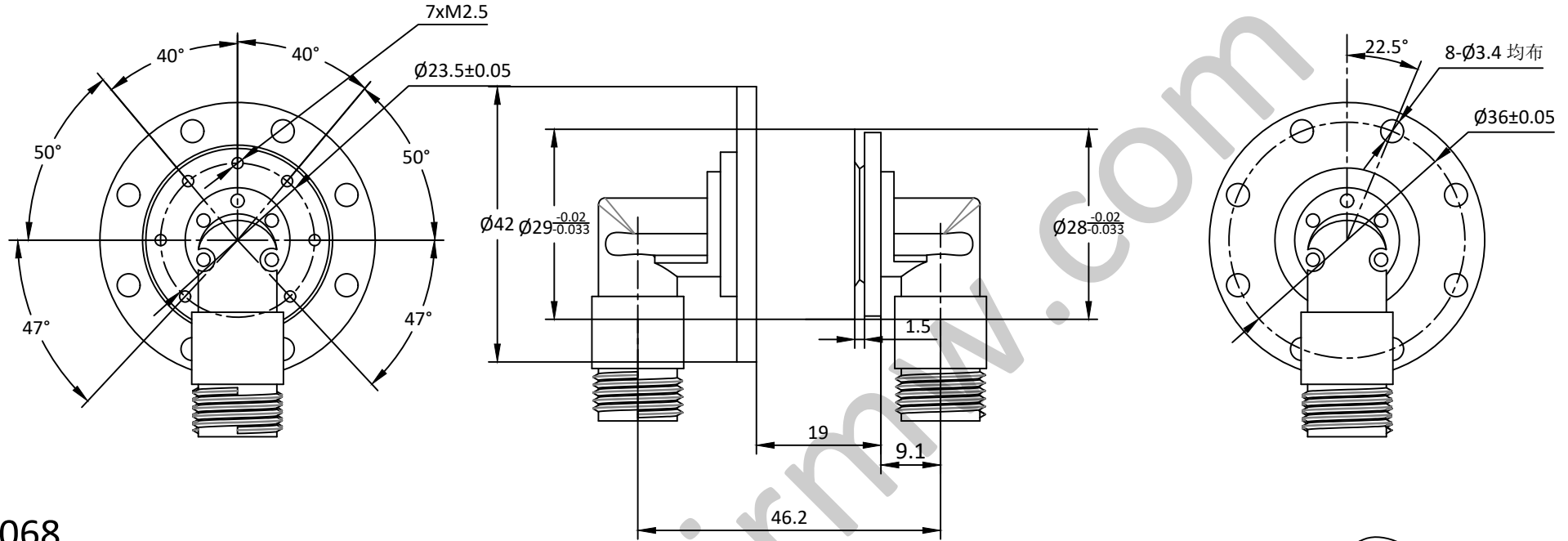


NOTES: UNLESS OTHERWISE SPECIFIED
THIS IS A CAD GENERATED DRAWING, DO NOT REVISE MANUALLY

REVISION HISTORY					
ZONE	REV	DESCRIPTION	E.C.O.NO	DATE	APPROVED
	1	ENGINEERING RELEASE			



LRJ-1068

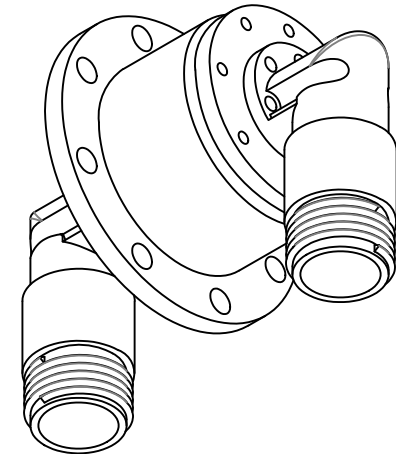
8 - 15GHz 旋转关节 Rotary Joint

—电气技术参数 Electrical Specifications—

工作频率 Frequency Range:	8 - 15GHz
插入损耗 Insertion Loss:	0.5dB(Max)
插入损耗最大波动值:	0.1dB(Max)
电压驻波比 VSWR:	1.5(Max)
驻波比最大波动值:	0.2(Max)
耐功率 Power:	250W(CW)
工作温度 Operation Temperature:	/
存储温度 Storage Temperature:	-40~+65°C
转动速度 Speed:	60rpm(Max)
寿命 Life:	1×10^6 转 (Min)

—机械技术参数 Mechanical Specification—

接口 Connectors:	N
样式 Type:	/
重量 Weight:	135g



UNLESS OTHERWISE SPECIFIED DIMENSIONS ARE MILLIMETER TOLERANCES ARE: DECIMALS ANGLES FRACTIONS .XX±0.03 ±1' ±2/5 .XXX±0.012						P/N: LRJ-1068	
		Approvals		DATE		www.lairmw.com sales@lairmw.com	
HOLE DIAMETER .35 TO 3.20 3.21 TO 6.35 6.36 TO 12.70 12.71 TO 19.05 19.06 TO 25.40 25.41 TO 50.80		TOLERANCES +05/-02 +10/-03 +15/-03 +20/-03 +25/-03 +30/-03		DRWN		SINGLE CHANNEL COAX ROTARY JOINT 单通道同轴旋转关节	
		ENG		CHK		SIZE A3	
		Q.A.		SCALE 3:2		CAGE NO	
				UNIT mm		DWG NO.	
				SHEET 1 OF 1		REV 1	