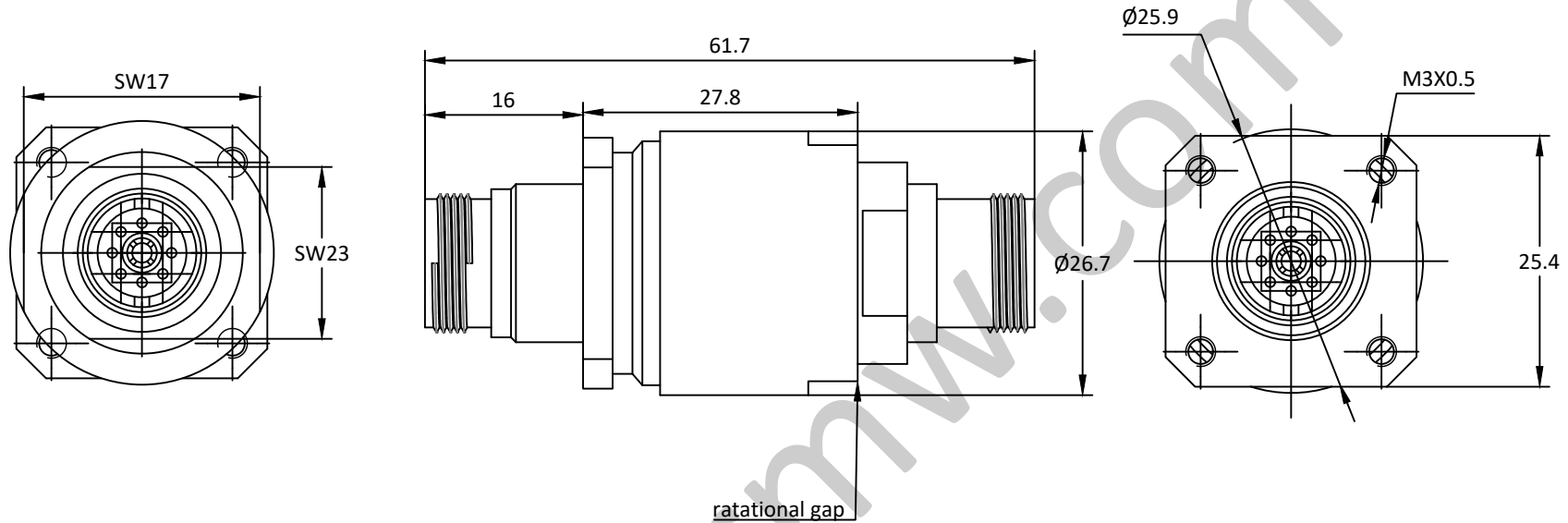


NOTES: UNLESS OTHERWISE SPECIFIED
THIS IS A CAD GENERATED DRAWING, DO NOT REVISE MANUALLY

REVISION HISTORY					
ZONE	REV	DESCRIPTION	E.C.O.NO	DATE	APPROVED
	1	ENGINEERING RELEASE			



LRJ-1062

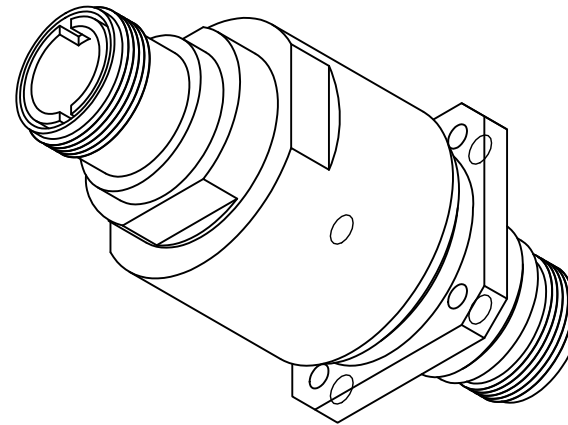
DC - 18GHz 旋转关节 Rotary Joint

—电气技术参数 Electrical Specifications—

工作频率 Frequency Range:	DC - 18GHz
插入损耗 Insertion Loss:	0.4dB(Max)
插入损耗最大波动值:	0.05dB(Max)
电压驻波比 VSWR:	1.3 (Max)
驻波比最大波动值:	0.05(Max)
耐功率 Power:	200W@DC-4.5GHz/50W@4.5-15GHz/30W@15-18GHz(CW)
	10kW(Peak)
工作温度 Operation Temperature:	-40~+70°C
存储温度 Storage Temperature:	-55~+85°C
转动速度 Speed:	30rpm(Max)
寿命 Life:	5*10 ⁶ 转 (Min)

—机械技术参数 Mechanical Specification—

接口 Connectors:	N-F
样式 Type:	I
重量 Weight:	150g



UNLESS OTHERWISE SPECIFIED DIMENSIONS ARE MILLIMETER TOLERANCES ARE: DECIMALS ANGLES FRACTIONS .XX±0.1 ±1' ±2/5 .XXX±0.03 .XXX±0.012				莱尔微波 www.lairmw.com sales@lairmw.com		P/N: LRJ-1062																					
<table border="1"> <thead> <tr> <th>Approvals</th> <th>DATE</th> </tr> </thead> <tbody> <tr> <td>DRWN</td> <td></td> </tr> <tr> <td>ENG</td> <td></td> </tr> <tr> <td>CHK</td> <td></td> </tr> <tr> <td>Q.A.</td> <td></td> </tr> </tbody> </table>		Approvals	DATE	DRWN		ENG		CHK		Q.A.		<table border="1"> <thead> <tr> <th colspan="4">SINGLE CHANNEL COAX ROTARY JOINT 单通道同轴旋转关节</th> </tr> <tr> <th>SIZE</th> <th>CAGE NO</th> <th>DWG NO.</th> <th>REV</th> </tr> </thead> <tbody> <tr> <td>A3</td> <td></td> <td></td> <td>1</td> </tr> </tbody> </table>		SINGLE CHANNEL COAX ROTARY JOINT 单通道同轴旋转关节				SIZE	CAGE NO	DWG NO.	REV	A3			1		
Approvals	DATE																										
DRWN																											
ENG																											
CHK																											
Q.A.																											
SINGLE CHANNEL COAX ROTARY JOINT 单通道同轴旋转关节																											
SIZE	CAGE NO	DWG NO.	REV																								
A3			1																								
<table border="1"> <thead> <tr> <th>HOLE DIAMETER</th> <th>TOLERANCES</th> </tr> </thead> <tbody> <tr> <td>.35 TO 3.20</td> <td>+05/-02</td> </tr> <tr> <td>3.21 TO 6.35</td> <td>+10/-03</td> </tr> <tr> <td>6.36 TO 12.70</td> <td>+15/-03</td> </tr> <tr> <td>12.71 TO 19.05</td> <td>+20/-03</td> </tr> <tr> <td>19.06 TO 25.40</td> <td>+25/-03</td> </tr> <tr> <td>25.41 TO 50.80</td> <td>+30/-03</td> </tr> </tbody> </table>		HOLE DIAMETER	TOLERANCES	.35 TO 3.20	+05/-02	3.21 TO 6.35	+10/-03	6.36 TO 12.70	+15/-03	12.71 TO 19.05	+20/-03	19.06 TO 25.40	+25/-03	25.41 TO 50.80	+30/-03	SCALE 3:2		UNIT mm		SHEET 1 OF 1							
HOLE DIAMETER	TOLERANCES																										
.35 TO 3.20	+05/-02																										
3.21 TO 6.35	+10/-03																										
6.36 TO 12.70	+15/-03																										
12.71 TO 19.05	+20/-03																										
19.06 TO 25.40	+25/-03																										
25.41 TO 50.80	+30/-03																										