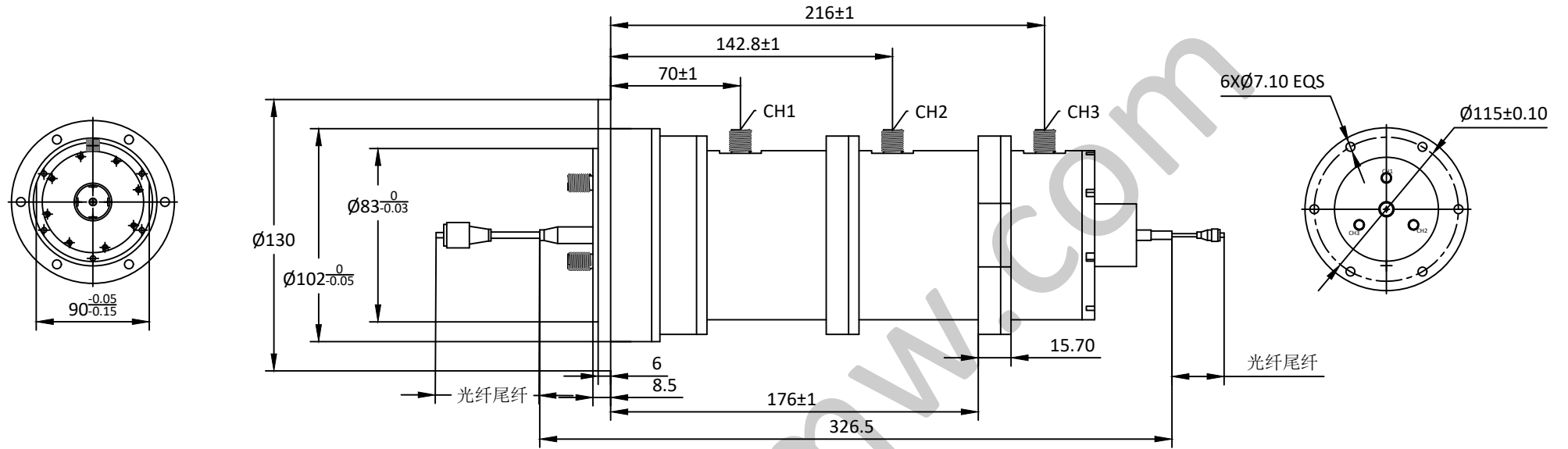


NOTES: UNLESS OTHERWISE SPECIFIED
THIS IS A CAD GENERATED DRAWING, DO NOT REVISE MANUALLY

REVISION HISTORY					
ZONE	REV	DESCRIPTION	E.C.O.NO	DATE	APPROVED
	1	ENGINEERING RELEASE			



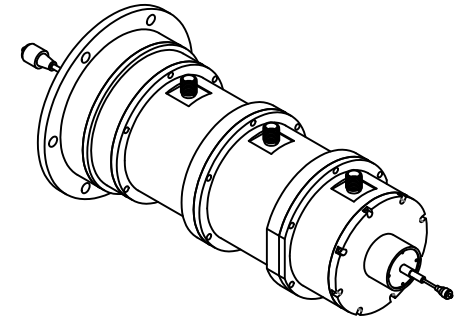
LRJ-1057

3通道旋转关节 Three Channel Rotary Joint
—电气技术参数 Electrical Specifications—

通道 Channel:	CH1-3
工作频率 Frequency Range:	0.9- 1.1GHz
插入损耗 Insertion Loss:	1.5dB(Max)
插入损耗最大波动值:	0.2dB(Max)
电压驻波比 VSWR:	1.6(Max)
驻波比最大波动值:	0.2(Max)
耐功率 Power	50W(CW) 500W(Peak)
工作温度 Operation Temperature:	-40~+70°C
存储温度 Storage Temperature:	-50~+70°C
转动速度 Speed:	100rpm(Max)
寿命 Life:	1*10 ⁶ 转(Min)

—机械技术参数 Mechanical Specification—

接口 Connectors:	N-F
样式 Type:	/
重量 Weight:	4.6kg



UNLESS OTHERWISE SPECIFIED DIMENSIONS ARE MILLIMETER TOLERANCES ARE: DECIMALS ANGLES FRACTIONS .X±0.1 ±1' ±2/5 .XX±0.03 .XXX±0.012				 www.lairmw.com sales@lairmw.com		P/N: LRJ-1057																									
<table border="1"> <thead> <tr> <th colspan="2">TOLERANCES</th> </tr> </thead> <tbody> <tr> <td>.35 TO 3.20</td> <td>+0.05/-0.02</td> </tr> <tr> <td>3.21 TO 6.35</td> <td>+0.10/-0.03</td> </tr> <tr> <td>6.36 TO 12.70</td> <td>+0.15/-0.03</td> </tr> <tr> <td>12.71 TO 19.05</td> <td>+0.20/-0.03</td> </tr> <tr> <td>19.06 TO 25.40</td> <td>+0.25/-0.03</td> </tr> <tr> <td>25.41 TO 50.80</td> <td>+0.30/-0.03</td> </tr> </tbody> </table>		TOLERANCES		.35 TO 3.20	+0.05/-0.02	3.21 TO 6.35	+0.10/-0.03	6.36 TO 12.70	+0.15/-0.03	12.71 TO 19.05	+0.20/-0.03	19.06 TO 25.40	+0.25/-0.03	25.41 TO 50.80	+0.30/-0.03	<table border="1"> <thead> <tr> <th>Approvals</th> <th>DATE</th> </tr> </thead> <tbody> <tr> <td>DRWN</td> <td></td> </tr> <tr> <td>ENG</td> <td></td> </tr> <tr> <td>CHK</td> <td></td> </tr> <tr> <td>Q.A.</td> <td></td> </tr> </tbody> </table>		Approvals	DATE	DRWN		ENG		CHK		Q.A.		THREE CHANNEL COAX ROTARY JOINT 3通道同轴旋转关节			
TOLERANCES																															
.35 TO 3.20	+0.05/-0.02																														
3.21 TO 6.35	+0.10/-0.03																														
6.36 TO 12.70	+0.15/-0.03																														
12.71 TO 19.05	+0.20/-0.03																														
19.06 TO 25.40	+0.25/-0.03																														
25.41 TO 50.80	+0.30/-0.03																														
Approvals	DATE																														
DRWN																															
ENG																															
CHK																															
Q.A.																															
SIZE A3		CAGE NO		DWG NO.		REV 1																									
SCALE 3:2		UNIT mm		SHEET 1 OF 1																											