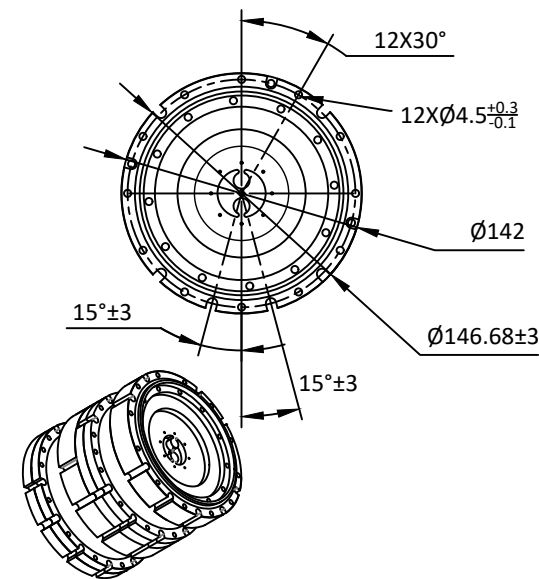
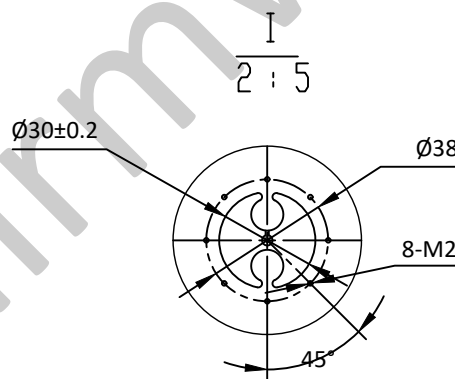
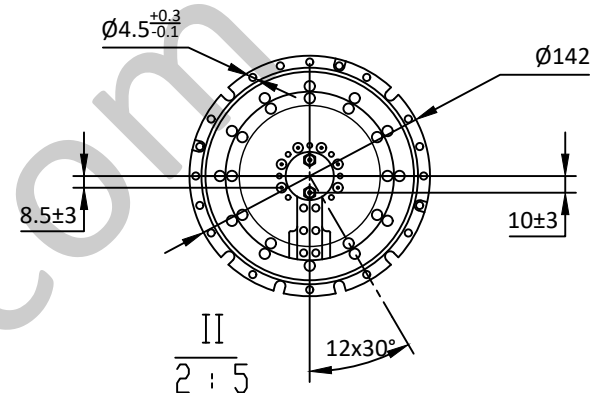
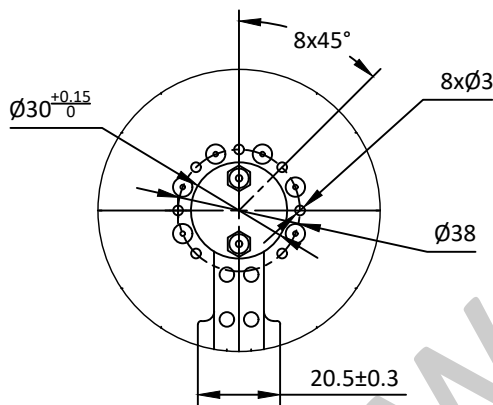
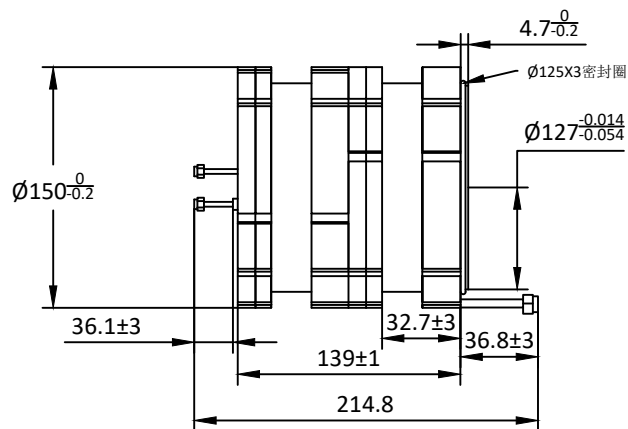


NOTES: UNLESS OTHERWISE SPECIFIED
THIS IS A CAD GENERATED DRAWING, DO NOT REVISE MANUALLY

REVISION HISTORY					
ZONE	REV	DESCRIPTION	E.C.O.NO	DATE	APPROVED
		ENGINEERING RELEASE			



LRJ-1075

双通道旋转关节 Dual Channel Rotary Joint

—电气技术参数 Electrical Specifications—

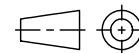
通道 Channel:	CH1	CH2
工作频率 Frequency Range:	1.018-1.102GHz	1.018-1.102GHz
插入损耗 Insertion Loss:	0.6dB(Max)	0.6dB(Max)
插入损耗最大波动值:	0.05dB	0.05dB
电压驻波比 VSWR:	1.3(Max)	1.3(Max)
驻波比最大波动值:	0.06	0.06
耐功率 Power:	20W(CW) 1.5kW(Peak)	20W(CW) 1.5kW(Peak)

工作温度 Operation Temperature:	-40~+71°C
存储温度 Storage Temperature:	/
转动速度 Speed:	300/200rpm(Max)
寿命 Life:	2*10 ⁶ 转(Min)

—机械技术参数 Mechanical Specification—

接口 Connectors:	SMA-F
样式 Type:	/
重量 Weight:	/

UNLESS OTHERWISE SPECIFIED
DIMENSIONS ARE MILLIMETER
TOLERANCES ARE:
DECIMALS ANGLES FRACTIONS
.XX±0.1 ±1' ±2/5
.XX±0.03
.XXX±0.012



Approvals

DATE

DRWN

ENG

CHK

Q.A.

HOLE DIAMETER
.35 TO 3.20
3.21 TO 6.35
6.36 TO 12.70
12.71 TO 19.05
19.06 TO 25.40
25.41 TO 50.80

TOLERANCES
+05/-02
+10/-03
+15/-03
+20/-03
+25/-03
+30/-03

莱尔微波
Laird Microwave

www.lairmw.com sales@lairmw.com

P/N: LRJ-1075

DUAL CHANNEL COAX ROTARY JOINT
双通道同轴旋转关节

SIZE	CAGE NO	DWG NO.	REV
A3			1
SCALE	UNIT	SHEET 1 OF 1	
3:2	mm		