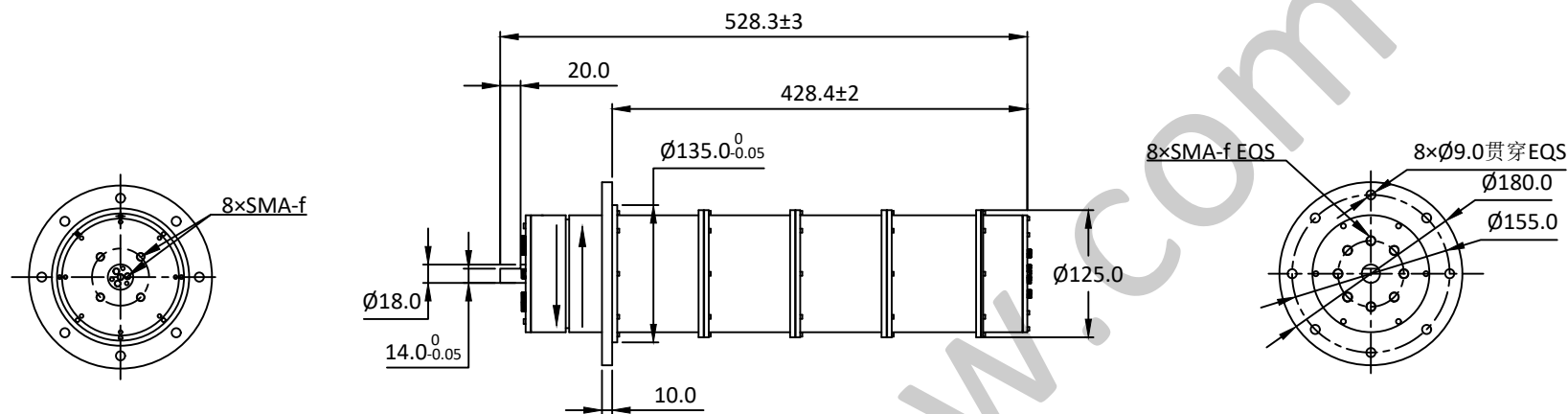


NOTES: UNLESS OTHERWISE SPECIFIED  
THIS IS A CAD GENERATED DRAWING, DO NOT REVISE MANUALLY

| REVISION HISTORY |     |                     |          |      |          |
|------------------|-----|---------------------|----------|------|----------|
| ZONE             | REV | DESCRIPTION         | E.C.O.NO | DATE | APPROVED |
|                  | 1   | ENGINEERING RELEASE |          |      |          |



## LRJ-1044

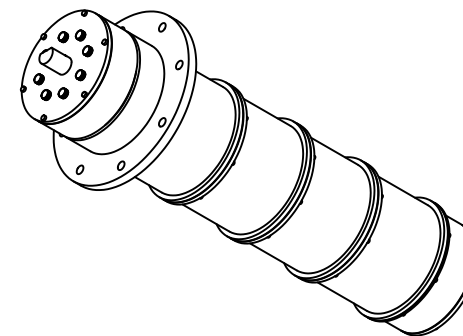
8通道旋转关节 Eight Channel Rotary Joint

### —电气技术参数 Electrical Specifications—

| 通道 Channel:                 | CH1-6                    | CH7-8          |
|-----------------------------|--------------------------|----------------|
| 工作频率 Frequency Range:       | 1.1 - 1.6GHz             | 2.47 - 2.52GHz |
| 插入损耗 Insertion Loss:        | 1.5dB(Max)               | 1.5dB(Max)     |
| 插入损耗最大波动值:                  | 0.15dB                   | 0.15dB         |
| 电压驻波比 VSWR:                 | 1.5(Max)                 | 1.5(Max)       |
| 驻波比最大波动值:                   | 0.2                      | 0.2            |
| 耐功率 Power:                  | 50W(CW)                  | 50W(CW)        |
| 工作温度 Operation Temperature: | -40~+70°C                |                |
| 存储温度 Storage Temperature:   | -55~+85°C                |                |
| 转动速度 Speed:                 | 30rpm(Max)               |                |
| 寿命 Life:                    | 5*10 <sup>6</sup> 转(Min) |                |

### —机械技术参数 Mechanical Specification—

|                |       |       |
|----------------|-------|-------|
| 接口 Connectors: | SMA-F | SMA-F |
| 样式 Type:       | /     |       |
| 重量 Weight:     | 9.5kg |       |



|  |  |  |      |  |         |               |     |
|--|--|--|------|--|---------|---------------|-----|
| UNLESS OTHERWISE SPECIFIED<br>DIMENSIONS ARE MILLIMETER<br>TOLERANCES ARE:<br>DECIMALS ANGLES FRACTIONS<br>.XX±0.1 ±1' ±2/5<br>.XXX±0.03<br>.XXX±0.012 |  |  |      |  |         | P/N: LRJ-1044 |     |
|  |  | Approvals  | DATE | www.lairmw.com sales@lairmw.com              |         |               |     |
|  |  | DRWN   |      | EIGHT CHANNEL COAX ROTARY JOINT<br>8通道同轴旋转关节 |         |               |     |
|  |  | ENG  |      | SIZE   | CAGE NO | DWG NO.       | REV |
|  |  | CHK  |      | A3   |         |               | 1   |
|  |  | Q.A.   |      | SCALE  | UNIT    | SHEET 1 OF 1  |     |
| HOLE DIAMETER<br>.35 TO 3.20<br>3.21 TO 6.35<br>6.36 TO 12.70<br>12.71 TO 19.05<br>19.06 TO 25.40<br>25.41 TO 50.80                                    |  | TOLERANCES<br>+.05/-0.2<br>+.10/-0.3<br>+.15/-0.3<br>+.20/-0.3<br>+.25/-0.3<br>+.30/-0.3 |      | 3:2  | mm      |               |     |