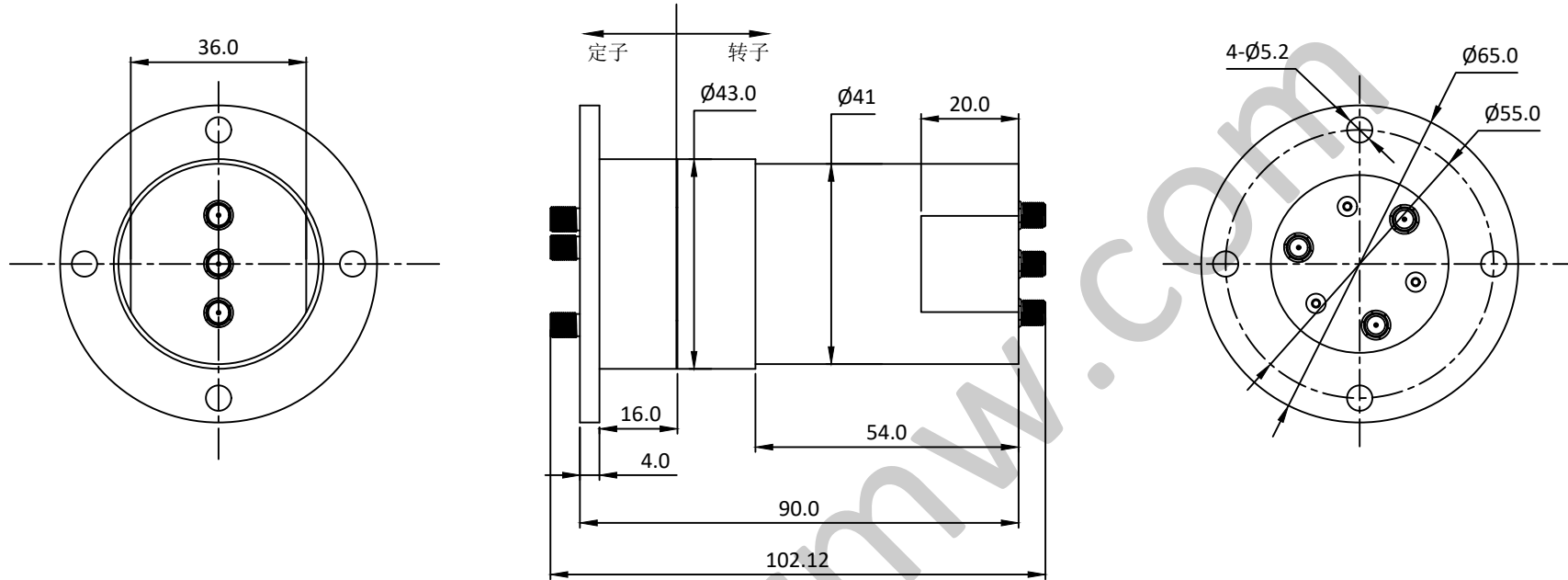


NOTES: UNLESS OTHERWISE SPECIFIED
THIS IS A CAD GENERATED DRAWING, DO NOT REVISE MANUALLY

REVISION HISTORY					
ZONE	REV	DESCRIPTION	E.C.O.NO	DATE	APPROVED
	1	ENGINEERING RELEASE			



LRJ-1029

3通道同轴旋转关节 Three Channel Coax Rotary Joint

—电气技术参数 Electrical Specifications—

通道 Channel:	CH1	CH2	CH3
工作频率 Frequency Range:	DC - 8GHz	DC - 8GHz	DC - 8GHz
插入损耗 Insertion Loss:	0.8dB(Max)	1.2dB(Max)	1.8dB(Max)
插入损耗最大波动值:	0.15dB	0.15dB	0.15dB
电压驻波比 VSWR:	1.5(Max)	1.6(Max)	2.0(Max)
驻波比最大波动值:	0.1	0.15	0.15
耐功率 Power:	50W(CW) 1000W(Peak)	50W(CW) 1000W(Peak)	50W(CW) 1000W(Peak)

工作温度 Operation Temperature: -45~+70°C

存储温度 Storage Temperature: -55~+85°C

转动速度 Speed: 30rpm(Max)

寿命 Life: 5*10⁶转 (Min)

—机械技术参数 Mechanical Specification—

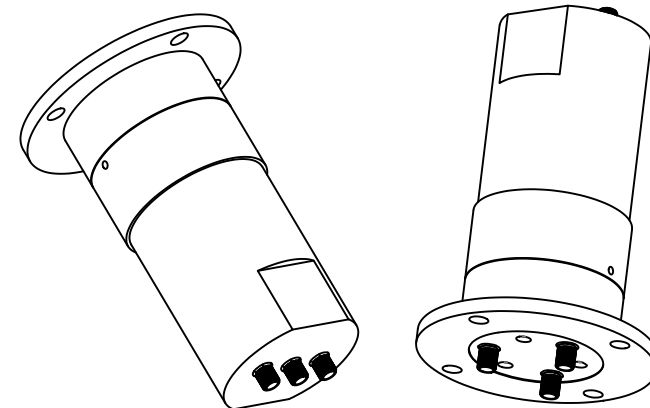
接口 Connectors:

SMA-F(50Ω)@CH1&2&3

样式 Type:

500g

重量 Weight:



UNLESS OTHERWISE SPECIFIED DIMENSIONS ARE MILLIMETER TOLERANCES ARE: DECIMALS ANGLES FRACTIONS .XX±0.03 ±1' ±2/5 .XXX±0.012		莱尔微波 www.lairmw.com sales@lairmw.com		P/N: LRJ-1029			
		Approvals	DATE	THREE CHANNEL COAX ROTARY JOINT 3通道同轴旋转关节			
HOLE DIAMETER .35 TO 3.20 3.21 TO 6.35 6.36 TO 12.70 12.71 TO 19.05 19.06 TO 25.40 25.41 TO 50.80	TOLERANCES +05/-02 +10/-03 +15/-03 +20/-03 +25/-03 +30/-03	DRWN		SIZE A3	CAGE NO	DWG NO.	REV 1
		ENG		SCALE 3:2	UNIT mm	SHEET 1 OF 1	
		CHK					
		Q.A.					