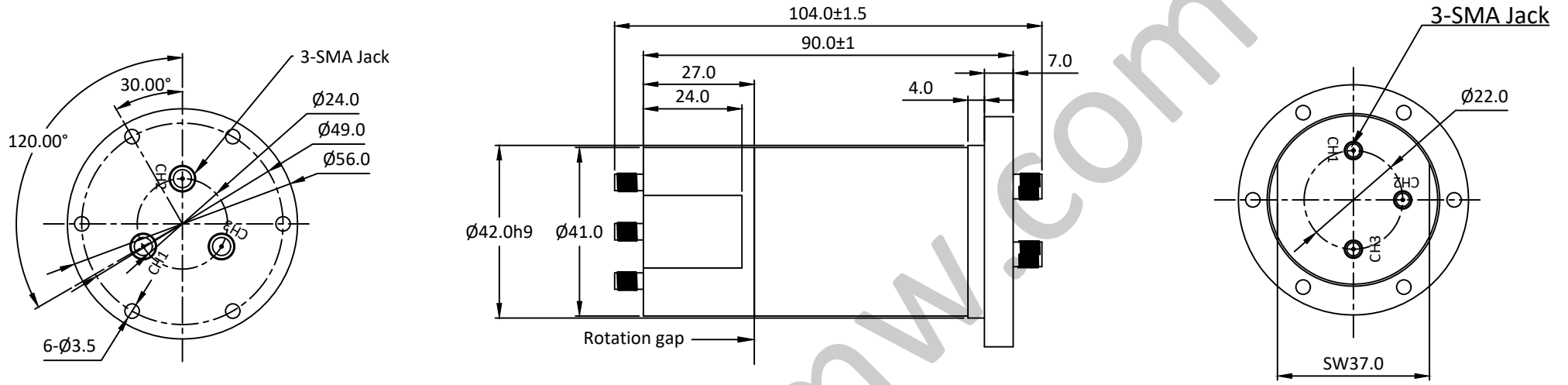


NOTES: UNLESS OTHERWISE SPECIFIED  
THIS IS A CAD GENERATED DRAWING, DO NOT REVISE MANUALLY

REVISION HISTORY					
ZONE	REV	DESCRIPTION	E.C.O.NO	DATE	APPROVED
	1	ENGINEERING RELEASE			



## LRJ-1046

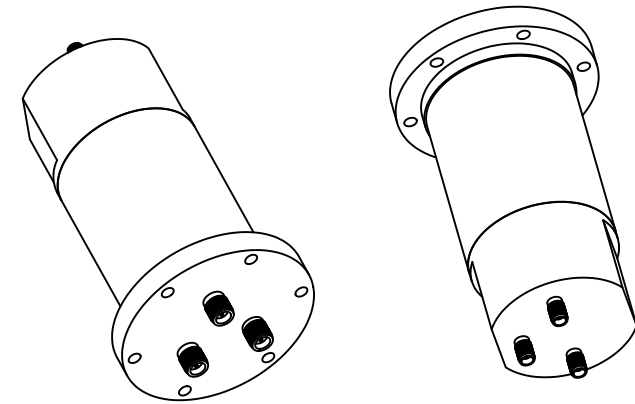
3通道同轴旋转关节 Three Channel Coax Rotary Joint

### —电气技术参数 Electrical Specifications—

通道 Channel:	CH1	CH2	CH3
工作频率 Frequency Range:	DC - 3GHz	DC - 3GHz	DC - 3GHz
插入损耗 Insertion Loss:	0.8dB(Max)	0.8dB(Max)	0.8dB(Max)
插入损耗最大波动值:	0.1dB	0.15dB	0.1dB
电压驻波比 VSWR:	1.5(Max)	1.5(Max)	1.5(Max)
驻波比最大波动值:	0.1	0.1	0.1
耐功率 Power:	30W@1GHz(CW)	30W@1GHz(CW)	30W@1GHz(CW)
工作温度 Operation Temperature:	-40~+70°C		
存储温度 Storage Temperature:	-55~+85°C		
转动速度 Speed:	60rpm(Max)		
寿命 Life:	/		

### —机械技术参数 Mechanical Specification—

接口 Connectors:	SMA-F@CH1&2&3
样式 Type:	/
重量 Weight:	400g



UNLESS OTHERWISE SPECIFIED DIMENSIONS ARE MILLIMETER TOLERANCES ARE: DECIMALS ANGLES FRACTIONS .XX±0.1 ±1' ±2/5 .XXX±0.012			 www.lairmw.com sales@lairmw.com	P/N: LRJ-1046	
	Approvals	DATE		THREE CHANNEL COAX ROTARY JOINT 3通道同轴旋转关节	
HOLE DIAMETER .35 TO 3.20 3.21 TO 6.35 6.36 TO 12.70 12.71 TO 19.05 19.06 TO 25.40 25.41 TO 50.80	TOLERANCES +05/-02 +10/-03 +15/-03 +20/-03 +25/-03 +30/-03	DRWN	SIZE A3	CAGE NO	DWG NO.
		ENG	SCALE 3:2	UNIT mm	REV 1
		CHK	SHEET 1 OF 1		
		Q.A.			