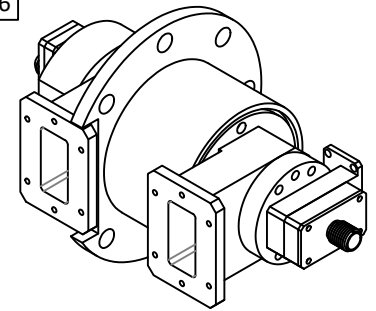
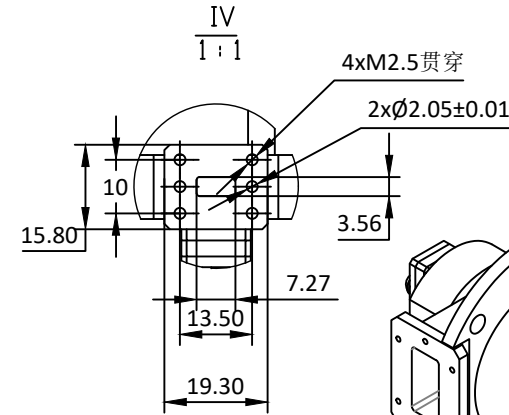
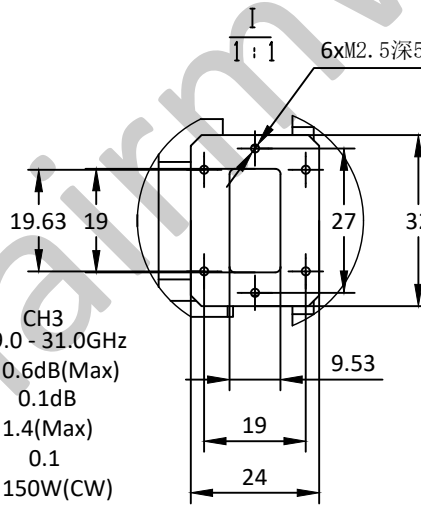
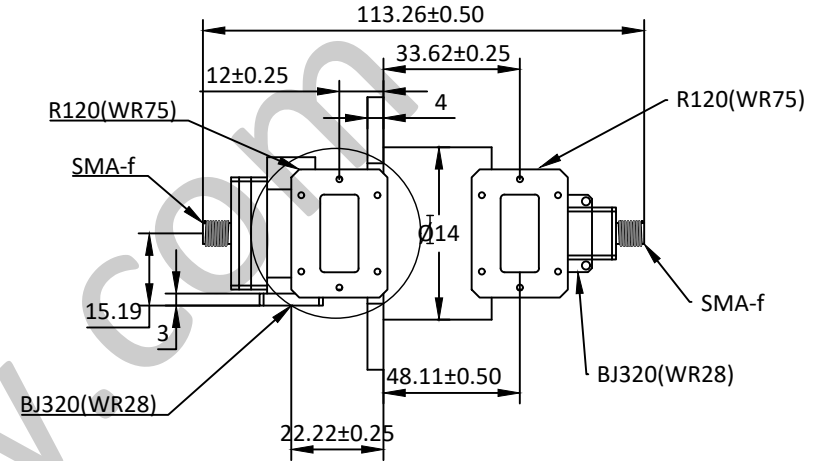
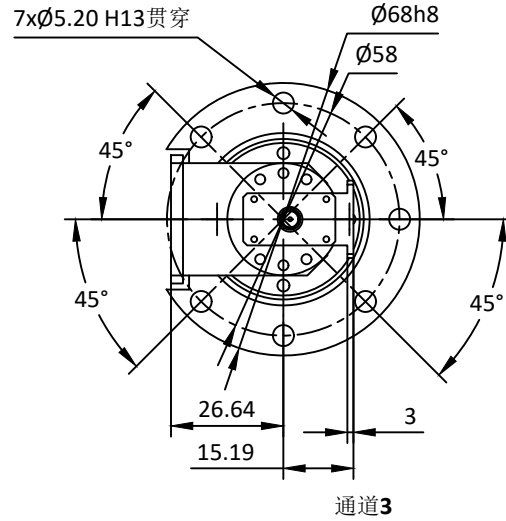


NOTES: UNLESS OTHERWISE SPECIFIED
THIS IS A CAD GENERATED DRAWING, DO NOT REVISE MANUALLY

REVISION HISTORY					
ZONE	REV	DESCRIPTION	E.C.O.NO	DATE	APPROVED
	1	ENGINEERING RELEASE			



LRJ-1054

3通道同轴旋转关节 Three Channel Coax Rotary Joint

—电气技术参数 Electrical Specifications—

通道 Channel:	CH1	CH2	CH3
工作频率 Frequency Range:	DC - 13GHz	13.75 - 14.5GHz	29.0 - 31.0GHz
插入损耗 Insertion Loss:	0.5dB@DC-2GHz/1.5@2-13GHz	0.4dB(Max)	0.6dB(Max)
插入损耗最大波动值:	0.1dB	0.1dB	0.1dB
电压驻波比 VSWR:	1.5@DC-2GHz/2.0@2-13GHz	1.3(Max)	1.4(Max)
驻波比最大波动值:	0.1	0.1	0.1
耐功率 Power:	1W(CW)	150W(CW)	150W(CW)
工作温度 Operation Temperature:	-45~+70°C		
存储温度 Storage Temperature:	-55~+85°C		
转动速度 Speed:	60rpm(Max)		
寿命 Life:	5*10 ⁶ 转(Min)		

—机械技术参数 Mechanical Specification—

接口 Connectors:	SMA-F(50Ω)@CH1&2&3
样式 Type:	/
重量 Weight:	350g

UNLESS OTHERWISE SPECIFIED DIMENSIONS ARE MILLIMETER TOLERANCES ARE: DECIMALS ANGLES FRACTIONS .XX±0.03 ±1' ±2/5 .XXX±0.012						 www.lairmw.com sales@lairmw.com		P/N: LRJ-1054	
HOLE DIAMETER .35 TO 3.20 3.21 TO 6.35 6.36 TO 12.70 12.71 TO 19.05 19.06 TO 25.40 25.41 TO 50.80		TOLERANCES +05/-02 +10/-03 +15/-03 +20/-03 +25/-03 +30/-03		Approvals: _____ DATE: _____ DRWN: _____ ENG: _____ CHK: _____ Q.A.: _____		THREE CHANNEL COAX ROTARY JOINT 3通道同轴旋转关节			
SIZE A3		CAGE NO		DWG NO.		REV 1			
SCALE 3:2		UNIT mm		SHEET 1 OF 1					