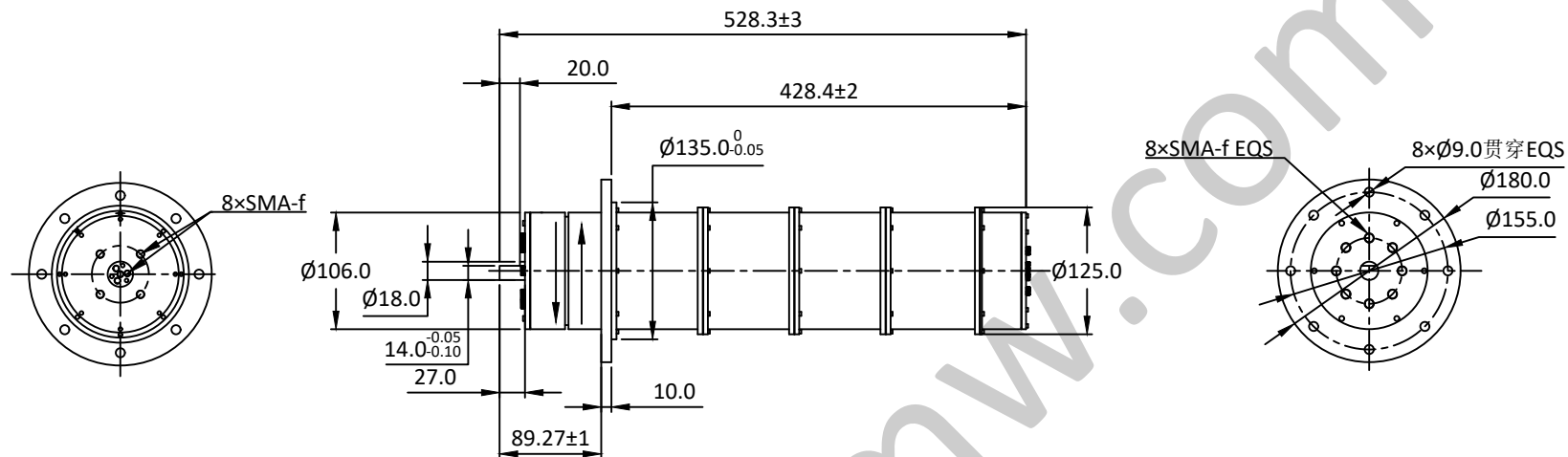


NOTES: UNLESS OTHERWISE SPECIFIED
THIS IS A CAD GENERATED DRAWING, DO NOT REVISE MANUALLY

REVISION HISTORY					
ZONE	REV	DESCRIPTION	E.C.O.NO	DATE	APPROVED
	1	ENGINEERING RELEASE			



LRJ-1045

8通道旋转关节 Eight Channel Rotary Joint

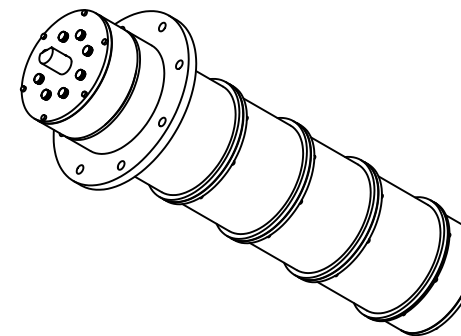
—电气技术参数 Electrical Specifications—

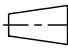


通道 Channel:	CH1-7	CH8
工作频率 Frequency Range:	DC - 2.4GHz	DC - 2.4GHz
插入损耗 Insertion Loss:	1.5dB(Max)	1.5dB(Max)
插入损耗最大波动值:	0.1dB	0.1dB
电压驻波比 VSWR:	1.5(Max)	1.5(Max)
驻波比最大波动值:	0.1	0.1
耐功率 Power:	50W@DC-1.0GHz(CW)	50W@DC-1.0GHz(CW)
	35W@1.0-2.4GHz(CW)	35W@1.0-2.4GHz(CW)

工作温度 Operation Temperature:	-40~+70°C
存储温度 Storage Temperature:	-55~+85°C
转动速度 Speed:	30rpm(Max)
寿命 Life:	5*10 ⁶ 转 (Min)

—机械技术参数 Mechanical Specification—

接口 Connectors:	SMA-F	SMA-F
样式 Type:	/	
重量 Weight:	9.5kg	



UNLESS OTHERWISE SPECIFIED DIMENSIONS ARE MILLIMETER TOLERANCES ARE: DECIMALS ANGLES FRACTIONS .XX±0.03 .XXX±0.012	 			P/N: LRJ-1045	
		Approvals	DATE	www.lairmw.com sales@lairmw.com	
HOLE DIAMETER .35 TO 3.20 3.21 TO 6.35 6.36 TO 12.70 12.71 TO 19.05 19.06 TO 25.40 25.41 TO 50.80	TOLERANCES +05/-02 +10/-03 +15/-03 +20/-03 +25/-03 +30/-03	DRWN	EIGHT CHANNEL COAX ROTARY JOINT 8通道同轴旋转关节		
		ENG	SIZE A3	CAGE NO	REV 1
		CHK	SCALE 3:2	DWG NO.	SHEET 1 OF 1
		Q.A.	UNIT mm		