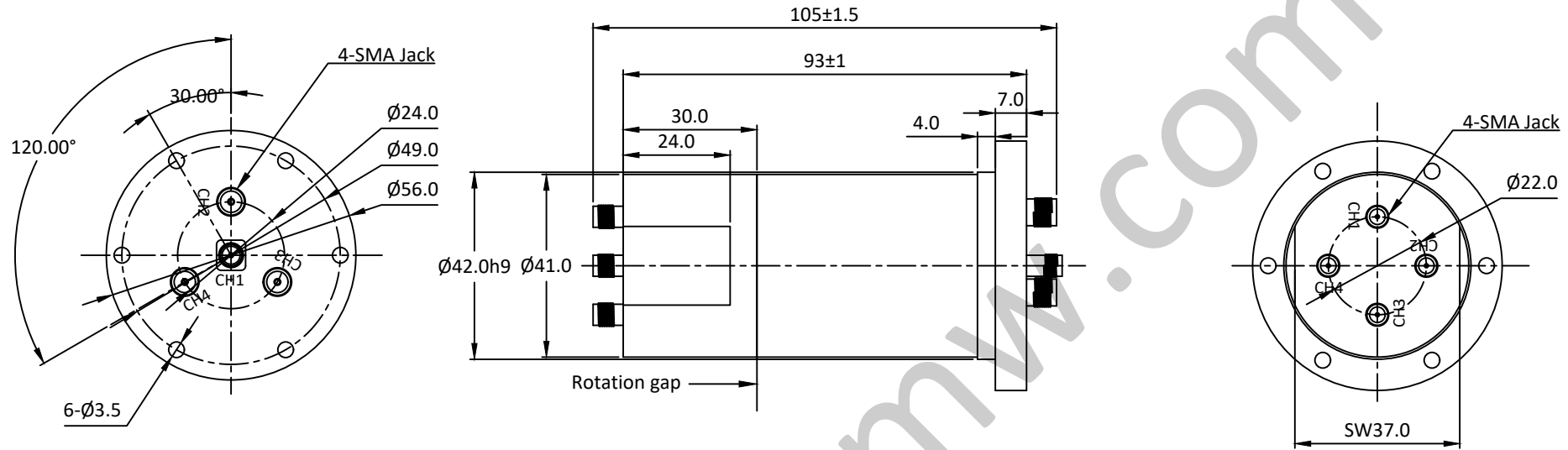


NOTES: UNLESS OTHERWISE SPECIFIED
THIS IS A CAD GENERATED DRAWING, DO NOT REVISE MANUALLY

REVISION HISTORY					
ZONE	REV	DESCRIPTION	E.C.O.NO	DATE	APPROVED
	1	ENGINEERING RELEASE			



LRJ-1037

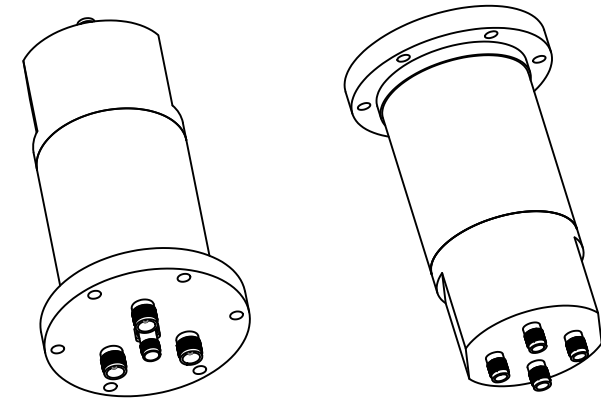
4通道同轴旋转关节 Four Channel Coax Rotary Joint

—电气技术参数 Electrical Specifications—

通道 Channel:	CH1	CH2	CH3	CH4
工作频率 Frequency Range:	DC - 900MHz	DC - 900MHz	DC - 900MHz	DC - 900MHz
插入损耗 Insertion Loss:	0.1dB(Max)	0.1dB(Max)	0.1dB(Max)	0.1dB(Max)
插入损耗最大波动值:	0.1dB	0.1dB	0.1dB	0.1dB
电压驻波比 VSWR:	1.3(Max)	1.3(Max)	1.3(Max)	1.3(Max)
驻波比最大波动值:	0.1	0.03	0.1	0.1
耐功率 Power:	150W@30-90MHz		150W@90-900MHz	
工作温度 Operation Temperature:	-40~+70°C			
存储温度 Storage Temperature:	-45~+85°C			
转动速度 Speed:	60rpm(Max)			
寿命 Life:	5*10 ⁶ 转(Min)			

—机械技术参数 Mechanical Specification—

接口 Connectors: SMA-F(50Ω)@CH1&2&3&4
样式 Type: /
重量 Weight: 100g



UNLESS OTHERWISE SPECIFIED DIMENSIONS ARE MILLIMETER TOLERANCES ARE: DECIMALS ANGLES FRACTIONS .XX±0.1 ±1' ±2/5 .XXX±0.012				莱尔微波 www.lairmw.com sales@lairmw.com		P/N: LRJ-1037	
HOLE DIAMETER .35 TO 3.20 3.21 TO 6.35 6.36 TO 12.70 12.71 TO 19.05 19.06 TO 25.40 25.41 TO 50.80		TOLERANCES +05/-02 +10/-03 +15/-03 +20/-03 +25/-03 +30/-03		Approvals DATE DRWN ENG CHK Q.A.		FOUR CHANNEL COAX ROTARY JOINT 4通道同轴旋转关节	
				SIZE A3	CAGE NO	DWG NO.	REV 1
				SCALE 3:2	UNIT mm	SHEET 1 OF 1	