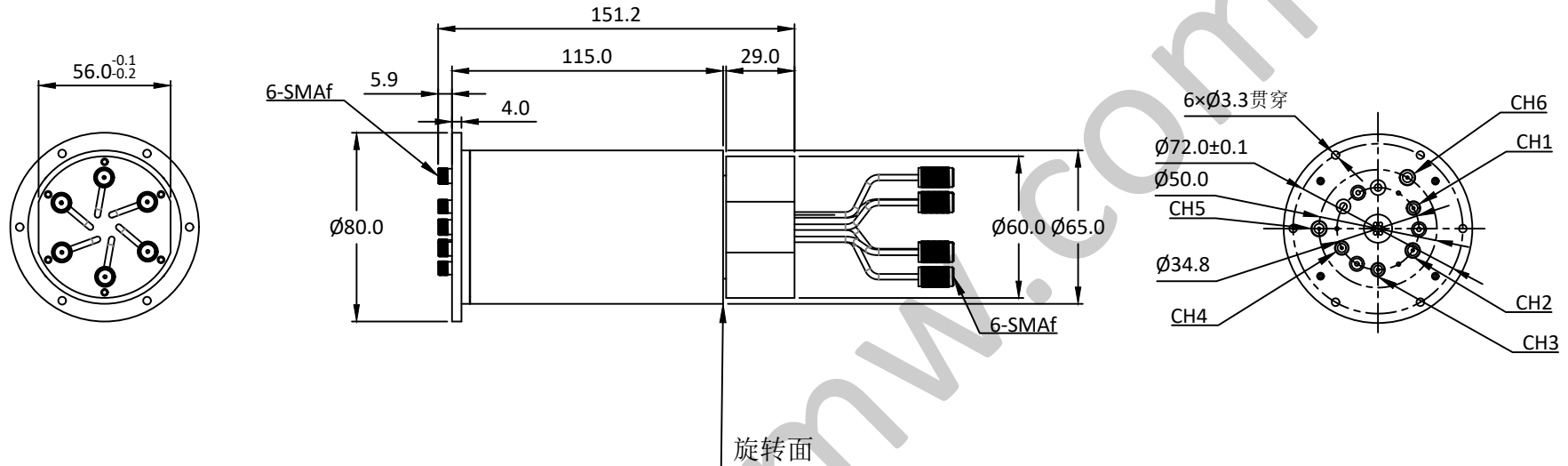


NOTES: UNLESS OTHERWISE SPECIFIED  
THIS IS A CAD GENERATED DRAWING, DO NOT REVISE MANUALLY

REVISION HISTORY					
ZONE	REV	DESCRIPTION	E.C.O.NO	DATE	APPROVED
	1	ENGINEERING RELEASE			



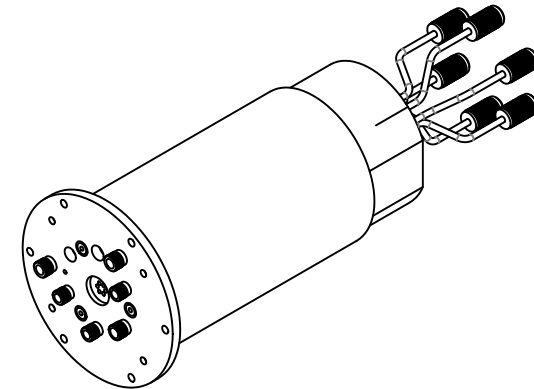
## LRJ-1041

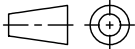


6通道旋转关节 Five Channel Rotary Joint  
—电气技术参数 Electrical Specifications—

通道 Channel:	CH1-4	CH5-6
工作频率 Frequency Range:	DC - 2.2GHz	DC - 2.2GHz
插入损耗 Insertion Loss:	1.0dB(Max)	1.0dB(Max)
插入损耗最大波动值:	0.2dB	0.2dB
电压驻波比 VSWR:	1.7(Max)	1.7(Max)
驻波比最大波动值:	0.5	0.5
耐功率 Power:	50W@DC-1.0GHz(CW) 35W@1.0-2.2GHz(CW) 150W(Peak)	50W@DC-1.0GHz(CW) 35W@1.0-2.2GHz(CW) 150W(Peak)
工作温度 Operation Temperature:	-40~+70°C	
存储温度 Storage Temperature:	-55~+85°C	
转动速度 Speed:	30rpm(Max)	
寿命 Life:	5*10 <sup>6</sup> 转(Min)	

—机械技术参数 Mechanical Specification—

接口 Connectors:	SMA
样式 Type:	/
重量 Weight:	2000g



UNLESS OTHERWISE SPECIFIED DIMENSIONS ARE MILLIMETER TOLERANCES ARE: DECIMALS ANGLES FRACTIONS .XX±0.1 ±1' ±2/5 .XXX±0.03 ±1' ±2/5 .XXX±0.012							P/N: LRJ-1041			
	Approvals		DATE		www.lairmw.com sales@lairmw.com					
HOLE DIAMETER .35 TO 3.20 3.21 TO 6.35 6.36 TO 12.70 12.71 TO 19.05 19.06 TO 25.40 25.41 TO 50.80	TOLERANCES +05/-02 +10/-03 +15/-03 +20/-03 +25/-03 +30/-03		DRWN		SIX CHANNEL COAX ROTARY JOINT 6通道同轴旋转关节					
		ENG		SIZE	A3	CAGE NO		DWG NO.	REV	1
		CHK		SCALE	3:2	UNIT	mm	SHEET 1 OF 1		
		Q.A.								