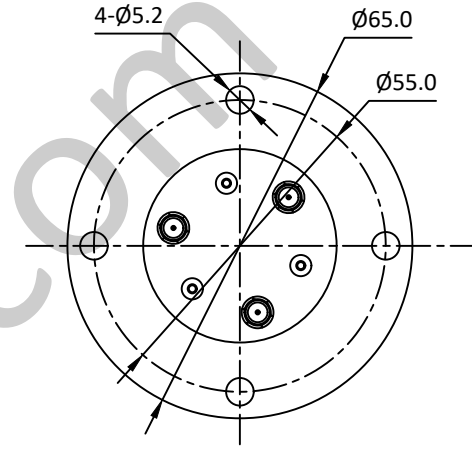
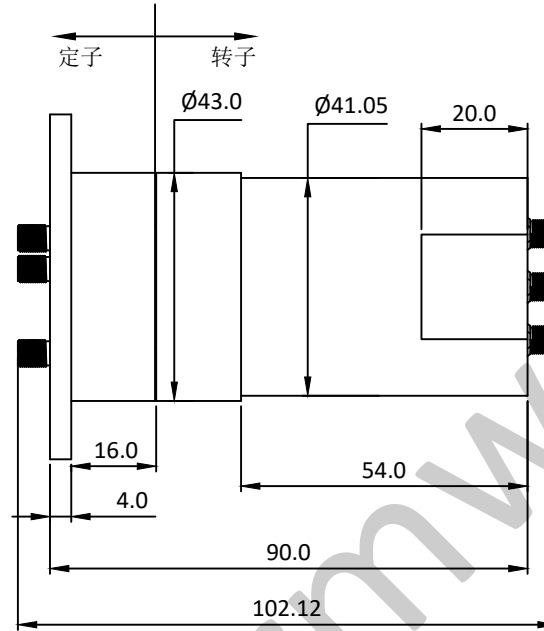
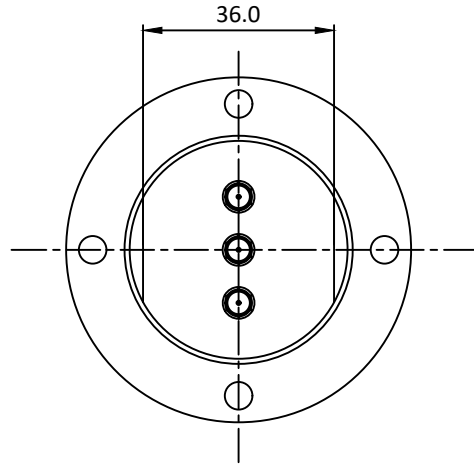


NOTES: UNLESS OTHERWISE SPECIFIED  
THIS IS A CAD GENERATED DRAWING, DO NOT REVISE MANUALLY

REVISION HISTORY					
ZONE	REV	DESCRIPTION	E.C.O.NO	DATE	APPROVED
	1	ENGINEERING RELEASE			



## LRJ-1028

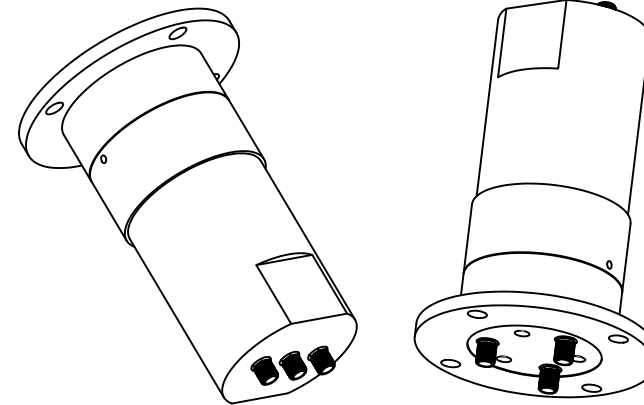
3通道同轴旋转关节 Three Channel Coax Rotary Joint

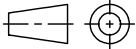

### —电气技术参数 Electrical Specifications—

通道 Channel:	CH1	CH2	CH3
工作频率 Frequency Range:	DC - 8GHz	DC - 8GHz	DC - 8GHz
插入损耗 Insertion Loss:	1.0dB(Max)	1.2dB(Max)	1.0dB(Max)
插入损耗最大波动值:	0.3dB	0.15dB	0.15dB
电压驻波比 VSWR:	1.5(Max)	1.6(Max)	1.5(Max)
驻波比最大波动值:	0.1	0.2	0.2
耐功率 Power:	10W(CW)	10W(CW)	10W(CW)
工作温度 Operation Temperature:	-45~+70°C		
存储温度 Storage Temperature:	-55~+85°C		
转动速度 Speed:	30rpm(Max)		
寿命 Life:	5*10 <sup>6</sup> 转(Min)		

### —机械技术参数 Mechanical Specification—

接口 Connectors:	SMA-F(50Ω)@CH1&2&3
样式 Type:	/
重量 Weight:	/



UNLESS OTHERWISE SPECIFIED DIMENSIONS ARE MILLIMETER TOLERANCES ARE: DECIMALS ANGLES FRACTIONS .XX±0.1 ±1' ±2/5 .XXX±0.03 .XXX±0.012		 Approvals DATE		 www.lairmw.com sales@lairmw.com		P/N: LRJ-1028	
HOLE DIAMETER .35 TO 3.20 3.21 TO 6.35 6.36 TO 12.70 12.71 TO 19.05 19.06 TO 25.40 25.41 TO 50.80		TOLERANCES +05/-02 +10/-03 +15/-03 +20/-03 +25/-03 +30/-03		THREE CHANNEL COAX ROTARY JOINT 3通道同轴旋转关节		SIZE A3 SCALE 3:2	
DRWN		ENG		CAGE NO		DWG NO.	
CHK		Q.A.		UNIT mm		REV 1	
				SHEET 1 OF 1			