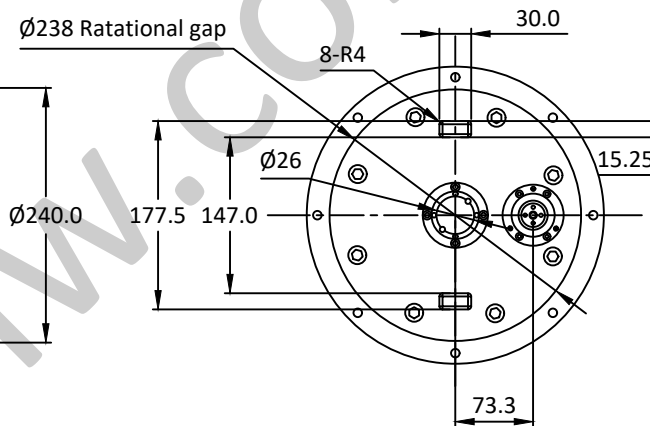
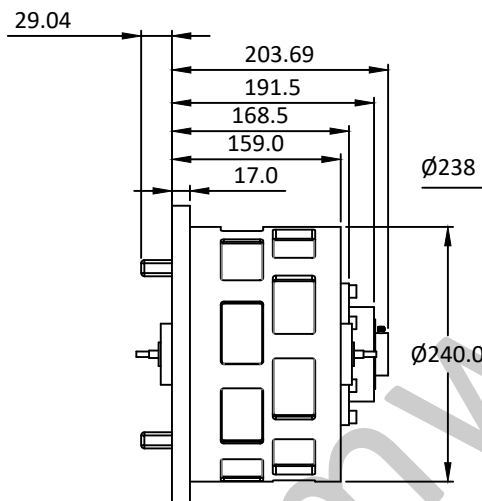
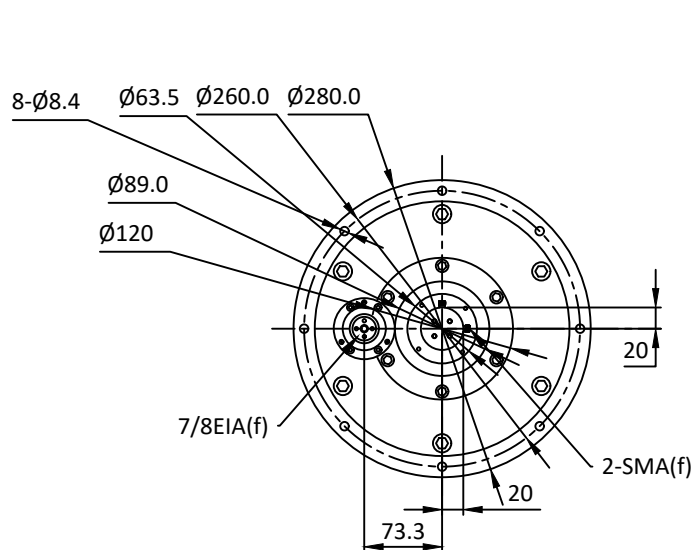


NOTES: UNLESS OTHERWISE SPECIFIED  
THIS IS A CAD GENERATED DRAWING, DO NOT REVISE MANUALLY

REVISION HISTORY					
ZONE	REV	DESCRIPTION	E.C.O.NO	DATE	APPROVED
	1	ENGINEERING RELEASE			

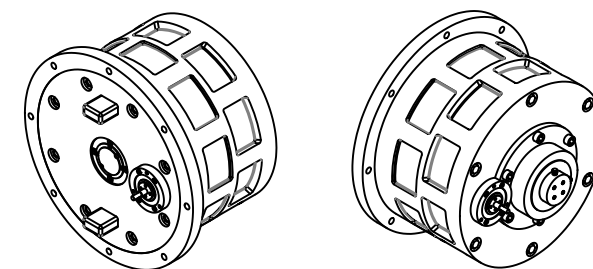


## LRJ-1027

3通道同轴旋转关节 Three Channel Coax Rotary Joint

### —电气技术参数 Electrical Specifications—

通道 Channel:	CH1	CH2	CH3
工作频率 Frequency Range:	0.63 - 0.66GHz	DC - 2.5GHz	DC - 2.5GHz
插入损耗 Insertion Loss:	0.5dB(Max)	0.6dB(Max)	0.8dB(Max)
插入损耗最大波动值:	0.1dB	0.15dB	0.15dB
电压驻波比 VSWR:	1.3(Max)	1.5(Max)	1.5(Max)
驻波比最大波动值:	0.15	0.2	0.2
耐功率 Power:	3kW(CW) 20kW(Peak)	100W(CW) 1kW(Peak)	100W(CW) 1kW(Peak)
工作温度 Operation Temperature:	-40~+70°C		
存储温度 Storage Temperature:	-55~+85°C		
转动速度 Speed:	10rpm(Max)		
寿命 Life:	5*10 <sup>6</sup> 转(Min)		



### —机械技术参数 Mechanical Specification—

接口 Connectors:	7/8ELA-F	SMA-F	SMA-F
样式 Type:	I	L	L
重量 Weight:	18kg		

UNLESS OTHERWISE SPECIFIED DIMENSIONS ARE MILLIMETER TOLERANCES ARE: DECIMALS ANGLES FRACTIONS .XX±0.03 .XXX±0.012				P/N: LRJ-1027	
		www.lairmw.com sales@lairmw.com			
HOLE DIAMETER .35 TO 3.20 3.21 TO 6.35 6.36 TO 12.70 12.71 TO 19.05 19.06 TO 25.40 25.41 TO 50.80	TOLERANCES +05/-02 +10/-03 +15/-03 +20/-03 +25/-03 +30/-03	DRWN	DATE	THREE CHANNEL COAX ROTARY JOINT 3通道同轴旋转关节	
		ENG		SIZE A3	REV 1
		CHK		CAGE NO	DWG NO.
		Q.A.		UNIT mm	SHEET 1 OF 1