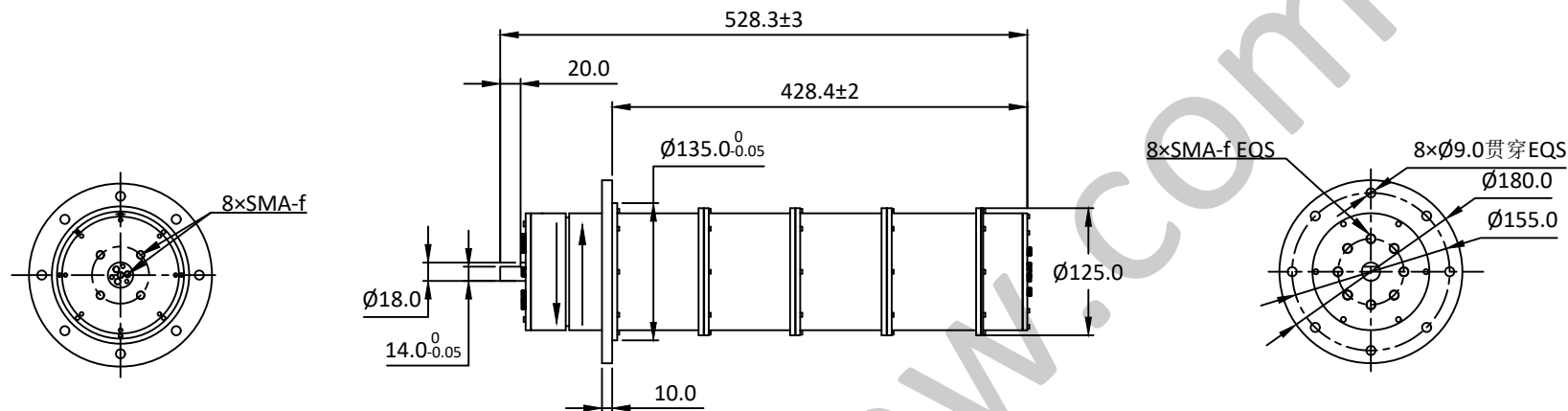


NOTES: UNLESS OTHERWISE SPECIFIED  
THIS IS A CAD GENERATED DRAWING, DO NOT REVISE MANUALLY

REVISION HISTORY					
ZONE	REV	DESCRIPTION	E.C.O.NO	DATE	APPROVED
	1	ENGINEERING RELEASE			



## LRJ-1043

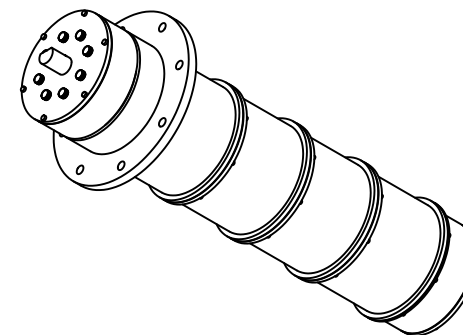
8通道旋转关节 Eight Channel Rotary Joint

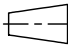


—电气技术参数 Electrical Specifications—

通道 Channel:	CH1-4	CH5-8
工作频率 Frequency Range:	1.6±0.5GHz	2.4±1GHz
插入损耗 Insertion Loss:	1.5dB(Max)	1.5dB(Max)
插入损耗最大波动值:	0.15dB	0.15dB
电压驻波比 VSWR:	1.5(Max)	1.5(Max)
驻波比最大波动值:	0.2	0.2
耐功率 Power:	50W(CW)	50W(CW)
工作温度 Operation Temperature:	-40~+70°C	
存储温度 Storage Temperature:	-55~+85°C	
转动速度 Speed:	30rpm(Max)	
寿命 Life:	5*10 <sup>6</sup> 转(Min)	

—机械技术参数 Mechanical Specification—

接口 Connectors:	SMA-F	SMA-F
样式 Type:	/	
重量 Weight:	9.5kg	



UNLESS OTHERWISE SPECIFIED DIMENSIONS ARE MILLIMETER TOLERANCES ARE: DECIMALS ANGLES FRACTIONS .XX±0.1 ±1' ±2/5 .XXX±0.03 .XXX±0.012	 	 www.lairmw.com sales@lairmw.com	P/N: LRJ-1043		
			Approvals	DATE	
HOLE DIAMETER .35 TO 3.20 3.21 TO 6.35 6.36 TO 12.70 12.71 TO 19.05 19.06 TO 25.40 25.41 TO 50.80	TOLERANCES +05/-02 +10/-03 +15/-03 +20/-03 +25/-03 +30/-03	DRWN	EIGHT CHANNEL COAX ROTARY JOINT 8通道同轴旋转关节		
		ENG	SIZE	CAGE NO	DWG NO.
		CHK	A3		REV
		Q.A.	SCALE	UNIT	SHEET 1 OF 1
			3:2	mm	1