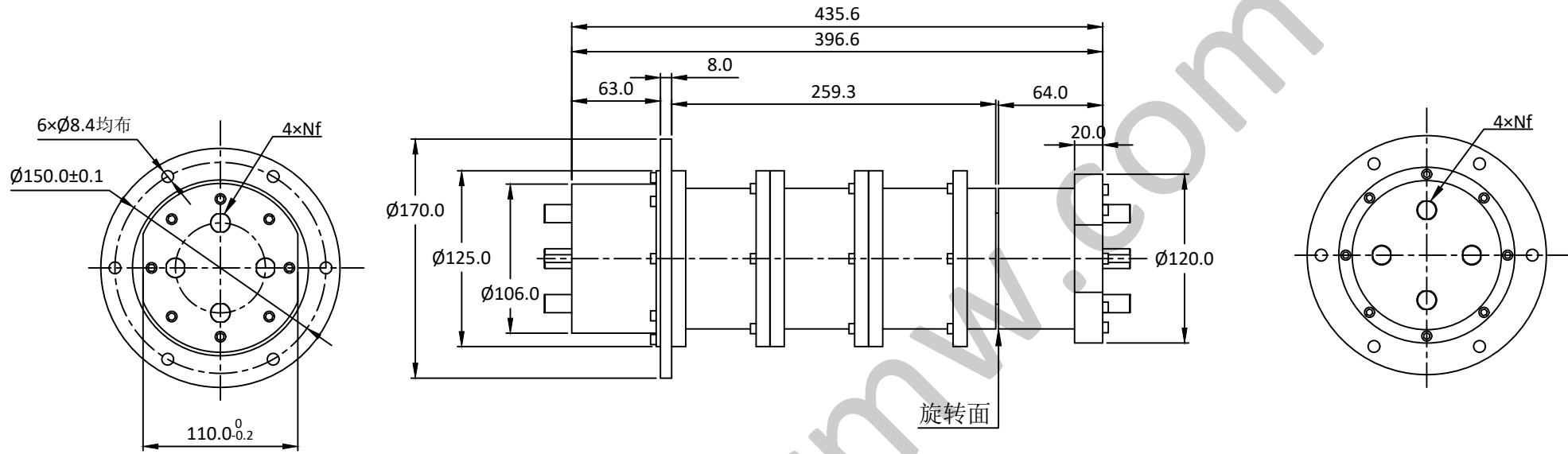


NOTES: UNLESS OTHERWISE SPECIFIED
THIS IS A CAD GENERATED DRAWING, DO NOT REVISE MANUALLY

REVISION HISTORY					
ZONE	REV	DESCRIPTION	E.C.O.NO	DATE	APPROVED
	1	ENGINEERING RELEASE			



LRJ-1035

4通道同轴旋转关节 Four Channel Coax Rotary Joint

—电气技术参数 Electrical Specifications—

通道 Channel:	CH1-4
工作频率 Frequency Range:	175 - 225MHz
插入损耗 Insertion Loss:	1.0dB(Max)
插入损耗最大波动值:	0.2dB
电压驻波比 VSWR:	1.3(Max)
驻波比最大波动值:	0.2
耐功率 Power:	300W@DC-1.0GHz(CW) 1200W(Peak)
工作温度 Operation Temperature:	-40~+70°C
转动速度 Speed:	60rpm(Max)
寿命 Life:	5*10 ⁶ 转 (Min)

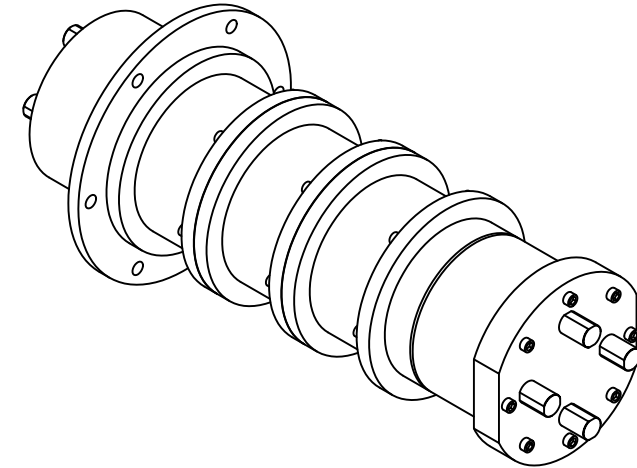
—机械技术参数 Mechanical Specification—

接口 Connectors:

样式 Type:

重量 Weight:

N



UNLESS OTHERWISE SPECIFIED DIMENSIONS ARE MILLIMETER TOLERANCES ARE: DECIMALS ANGLES FRACTIONS .X±0.1 ±1' ±2/5 .XX±0.03 .XXX±0.012				莱尔微波 www.lairmw.com sales@lairmw.com		P/N: LRJ-1035																															
<table border="1"> <tr> <td>DRWN</td> <td></td> </tr> <tr> <td>ENG</td> <td></td> </tr> <tr> <td>CHK</td> <td></td> </tr> <tr> <td>Q.A.</td> <td></td> </tr> </table>		DRWN		ENG		CHK		Q.A.		<table border="1"> <tr> <td>Approvals</td> <td>DATE</td> </tr> </table>		Approvals	DATE	<table border="1"> <tr> <td colspan="4">FOUR CHANNEL COAX ROTARY JOINT 4通道同轴旋转关节</td> </tr> <tr> <td>SIZE</td> <td>CAGE NO</td> <td>DWG NO.</td> <td>REV</td> </tr> <tr> <td>A3</td> <td></td> <td></td> <td>1</td> </tr> <tr> <td>SCALE</td> <td>UNIT</td> <td colspan="2">SHEET 1 OF 1</td> </tr> <tr> <td>3:2</td> <td>mm</td> <td colspan="2"></td> </tr> </table>				FOUR CHANNEL COAX ROTARY JOINT 4通道同轴旋转关节				SIZE	CAGE NO	DWG NO.	REV	A3			1	SCALE	UNIT	SHEET 1 OF 1		3:2	mm		
DRWN																																					
ENG																																					
CHK																																					
Q.A.																																					
Approvals	DATE																																				
FOUR CHANNEL COAX ROTARY JOINT 4通道同轴旋转关节																																					
SIZE	CAGE NO	DWG NO.	REV																																		
A3			1																																		
SCALE	UNIT	SHEET 1 OF 1																																			
3:2	mm																																				