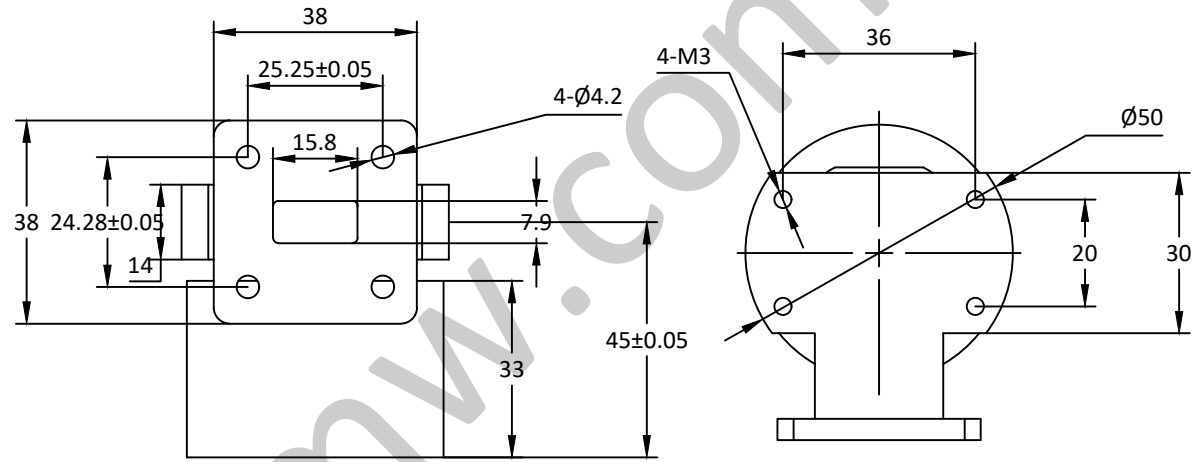
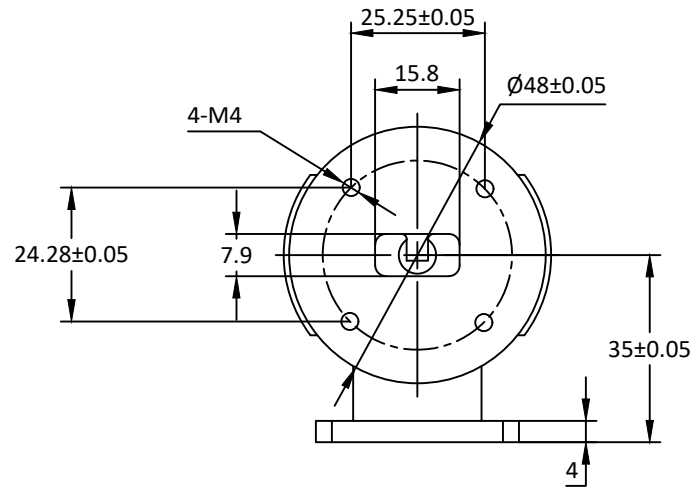


NOTES: UNLESS OTHERWISE SPECIFIED  
THIS IS A CAD GENERATED DRAWING, DO NOT REVISE MANUALLY

REVISION HISTORY					
ZONE	REV	DESCRIPTION	E.C.O.NO	DATE	APPROVED
	1	ENGINEERING RELEASE			



## LRJ-1051

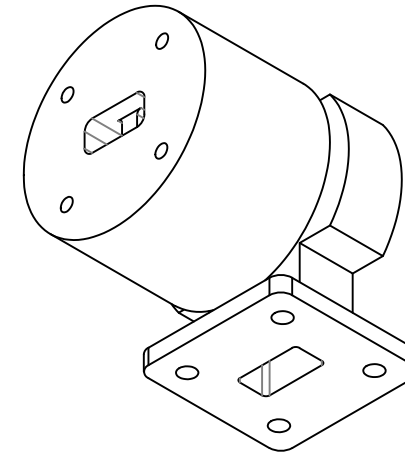
### 13.7 - 15.8GHz 旋转关节 Rotary Joint

#### —电气技术参数 Electrical Specifications—

工作频率 Frequency Range:	13.7 - 15.8GHz
插入损耗 Insertion Loss:	0.3dB(Max)
插入损耗最大波动值:	0.05dB
电压驻波比 VSWR:	1.25(Max)
驻波比最大波动值:	0.05
耐功率 Power:	300W(CW) 7.5KW(Peak)
工作温度 Operation Temperature:	-40~+70°C
存储温度 Storage Temperature:	-55~+70°C
转动速度 Speed:	60rpm(Max)
寿命 Life:	200*10 <sup>6</sup> 转(Min)

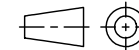
#### —机械技术参数 Mechanical Specification—

接口 Connectors:	R140
样式 Type:	L
重量 Weight:	300g



UNLESS OTHERWISE SPECIFIED  
DIMENSIONS ARE MILLIMETER  
TOLERANCES ARE:  
DECIMALS ANGLES FRACTIONS  
.XX±0.1 ±1' ±2/5  
.XXX±0.03  
.XXX±0.012

HOLE DIAMETER	TOLERANCES
.35 TO 3.20	+05/-02
3.21 TO 6.35	+10/-03
6.36 TO 12.70	+15/-03
12.71 TO 19.05	+20/-03
19.06 TO 25.40	+25/-03
25.41 TO 50.80	+30/-03



Approvals

DATE

DRWN

ENG

CHK

Q.A.



www.lairmw.com sales@lairmw.com

P/N: LRJ-1051

SINGLE CHANNEL WAVEGUIDE ROTARY JOINT  
单通道波导旋转关节

SIZE	CAGE NO	DWG NO.	REV
A3			1
SCALE 3:2	UNIT mm	SHEET 1 OF 1	