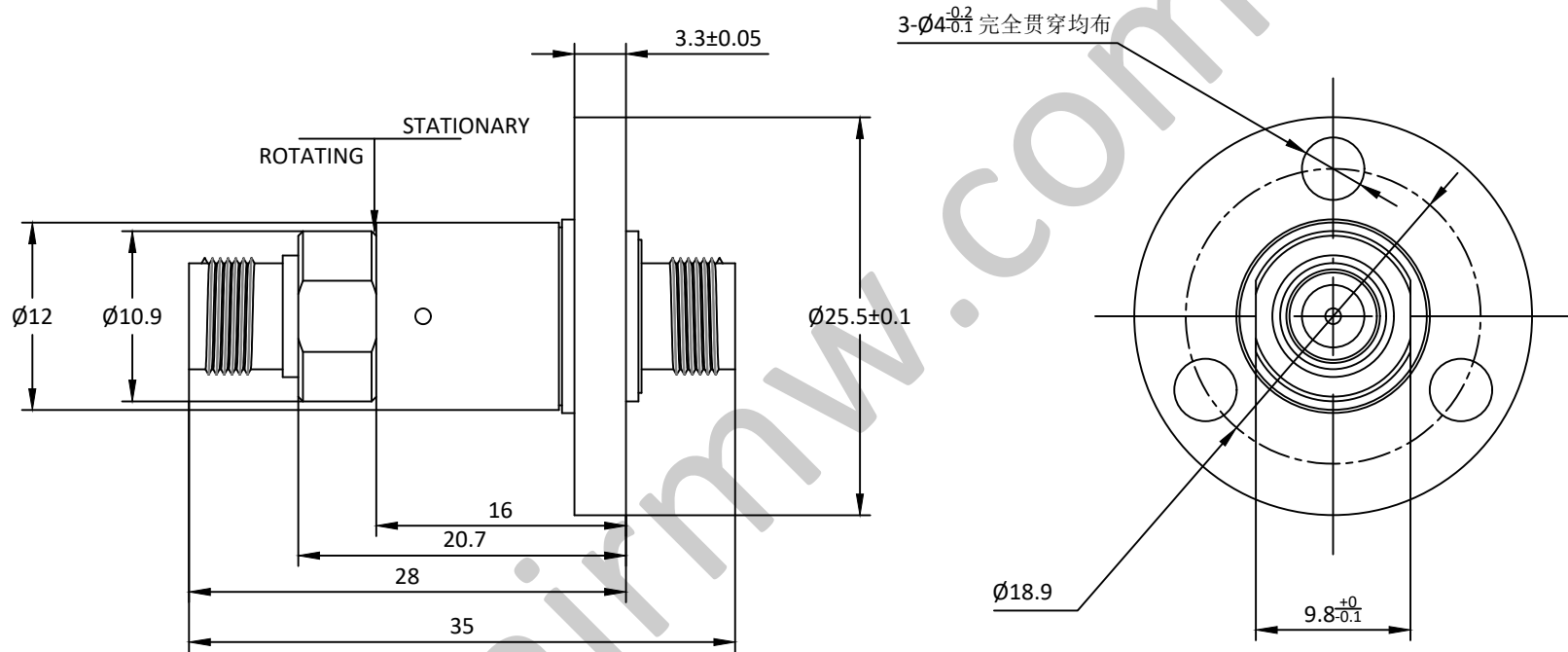


NOTES: UNLESS OTHERWISE SPECIFIED
THIS IS A CAD GENERATED DRAWING, DO NOT REVISE MANUALLY

REVISION HISTORY					
ZONE	REV	DESCRIPTION	E.C.O.NO	DATE	APPROVED
	1	ENGINEERING RELEASE			



LRJ-1049



DC - 18GHz 旋转关节 Rotary Joint

—电气技术参数 Electrical Specifications—

工作频率 Frequency Range:	DC - 18GHz
插入损耗 Insertion Loss:	0.45dB(Max)
插入损耗最大波动值:	/
电压驻波比 VSWR:	1.4(Max)
驻波比最大波动值:	0.1
耐功率 Power	30W(CW) 3KW(Peak)
工作温度 Operation Temperature:	-40~+70°C
存储温度 Storage Temperature:	-55~+85°C
转动速度 Speed:	200rpm(Max)
寿命 Life:	5*10 ⁶ 转(Min)

—机械技术参数 Mechanical Specification—

接口 Connectors:	SMA-F
样式 Type:	I
重量 Weight:	30g

UNLESS OTHERWISE SPECIFIED DIMENSIONS ARE MILLIMETER TOLERANCES ARE: DECIMALS ANGLES FRACTIONS .XX±0.1 ±1' ±2/5 .XX±0.03 .XXX±0.012								P/N: LRJ-1049	
		Approvals		DATE		www.lairmw.com sales@lairmw.com			
HOLE DIAMETER .35 TO 3.20 3.21 TO 6.35 6.36 TO 12.70 12.71 TO 19.05 19.06 TO 25.40 25.41 TO 50.80		TOLERANCES +05/-02 +10/-03 +15/-03 +20/-03 +25/-03 +30/-03		DRWN		SINGLE CHANNEL COAX ROTARY JOINT 单通道同轴旋转关节			
		ENG		CHK		SIZE A3		CAGE NO	
		Q.A.				SCALE 3:2		UNIT mm	
						DWG NO.		REV 1	
						SHEET 1 OF 1			