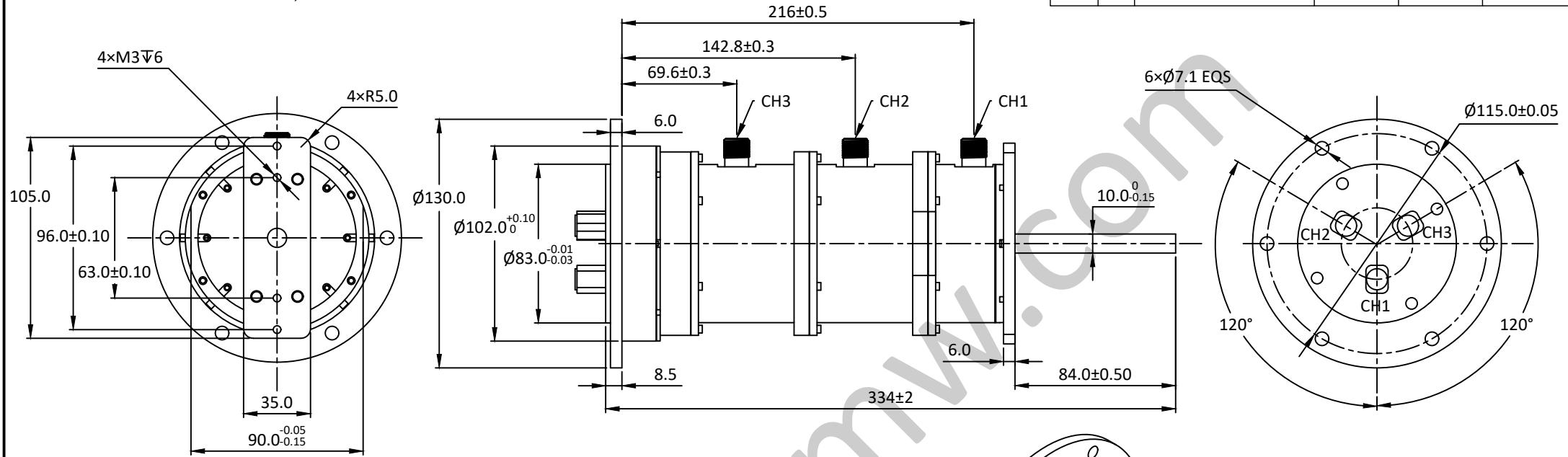


NOTES: UNLESS OTHERWISE SPECIFIED  
THIS IS A CAD GENERATED DRAWING, DO NOT REVISE MANUALLY

| REVISION HISTORY |     |                     |          |      |          |
|------------------|-----|---------------------|----------|------|----------|
| ZONE             | REV | DESCRIPTION         | E.C.O.NO | DATE | APPROVED |
|                  | 1   | ENGINEERING RELEASE |          |      |          |



## LRJ-1030

3通道同轴旋转关节 Three Channel Coax Rotary Joint

### —电气技术参数 Electrical Specifications—

| 通道 Channel:           | CH1                    | CH2                    | CH3                    |
|-----------------------|------------------------|------------------------|------------------------|
| 工作频率 Frequency Range: | 1.01 - 1.1GHz          | 1.01 - 1.1GHz          | 1.01 - 1.1GHz          |
| 插入损耗 Insertion Loss:  | 0.5dB(Max)             | 0.5dB(Max)             | 0.5dB(Max)             |
| 插入损耗最大波动值:            | 0.2dB                  | 0.2dB                  | 0.2dB                  |
| 电压驻波比 VSWR:           | 1.25(Max)              | 1.25(Max)              | 1.25(Max)              |
| 驻波比最大波动值:             | 1.05                   | 1.05                   | 1.05                   |
| 耐功率 Power:            | 150W(CW)<br>10kW(Peak) | 150W(CW)<br>10kW(Peak) | 300W(CW)<br>10kW(Peak) |

工作温度 Operation Temperature: -40~+70°C

存储温度 Storage Temperature: -55~+70°C

转动速度 Speed: 24rpm(Max)

寿命 Life: 1亿转(Min)

### —机械技术参数 Mechanical Specification—

接口 Connectors:

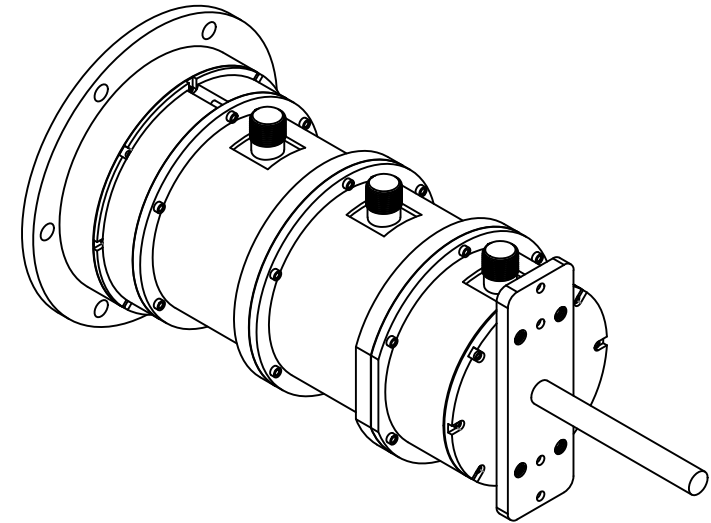
N-F(50Ω)@CH1&2&3

样式 Type:

/

重量 Weight:

4.1kg



|  |  |      |   |  |          |
|--|--|------|---|--|----------|
| UNLESS OTHERWISE SPECIFIED<br>DIMENSIONS ARE MILLIMETER<br>TOLERANCES ARE:<br>DECIMALS ANGLES FRACTIONS<br>.XX±0.03 ±1' ±2/5<br>.XXX±0.012 |  |      | 莱尔微波<br>www.lairmw.com sales@lairmw.com | P/N: LRJ-1030                                |          |
|  | Approvals  | DATE |   | THREE CHANNEL COAX ROTARY JOINT<br>3通道同轴旋转关节 |          |
| HOLE DIAMETER<br>.35 TO 3.20<br>3.21 TO 6.35<br>6.36 TO 12.70<br>12.71 TO 19.05<br>19.06 TO 25.40<br>25.41 TO 50.80                        | TOLERANCES<br>+05/-02<br>+10/-03<br>+15/-03<br>+20/-03<br>+25/-03<br>+30/-03 | DRWN | SIZE<br>A3                              | CAGE NO                                      | DWG NO.  |
|  |  | ENG  | SCALE<br>3:2                            | UNIT<br>mm                                   | REV<br>1 |
|  |  | CHK  | SHEET 1 OF 1                            |  |          |
|  |  | Q.A. |   |  |          |