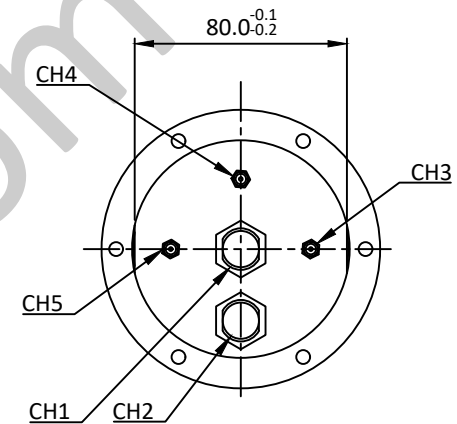
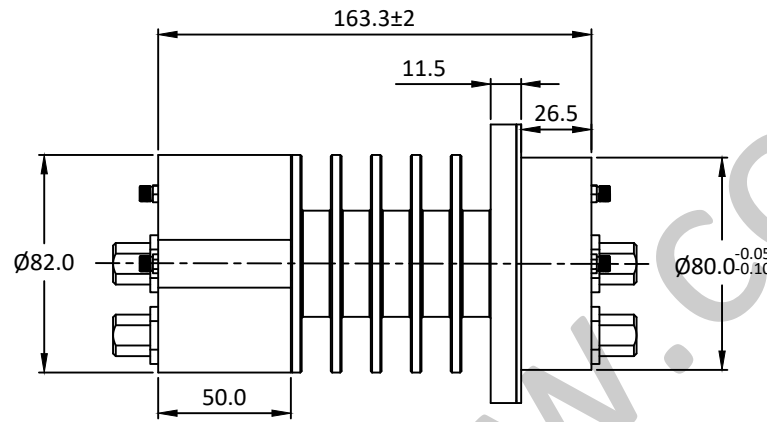
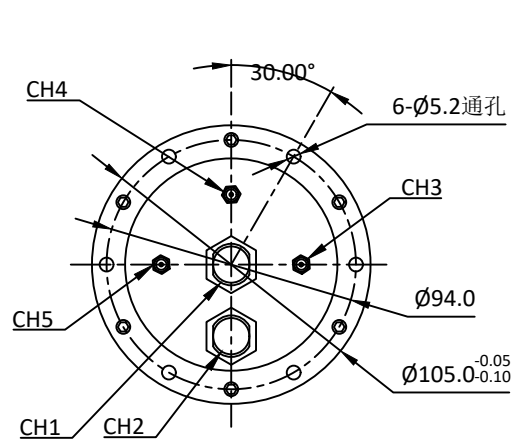


NOTES: UNLESS OTHERWISE SPECIFIED
THIS IS A CAD GENERATED DRAWING, DO NOT REVISE MANUALLY

REVISION HISTORY					
ZONE	REV	DESCRIPTION	E.C.O.NO	DATE	APPROVED
	1	ENGINEERING RELEASE			



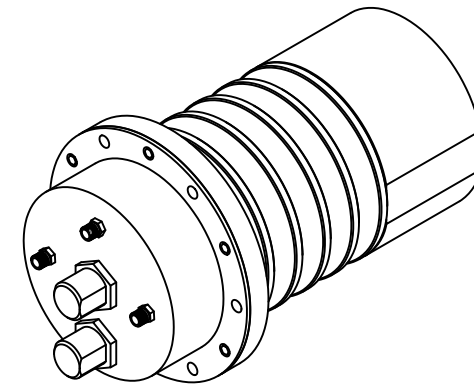
LRJ-1039

5通道旋转关节 Five Channel Rotary Joint
—电气技术参数 Electrical Specifications—

通道 Channel:	CH1-2	CH3-5
工作频率 Frequency Range:	DC - 3.5GHz	DC - 3.5GHz
插入损耗 Insertion Loss:	0.1dB(Max)	0.1dB(Max)
插入损耗最大波动值:	0.05dB	0.1dB
电压驻波比 VSWR:	1.5(Max)	1.5(Max)
驻波比最大波动值:	0.1	0.1
耐功率 Power:	5W(CW)	5W(CW)
工作温度 Operation Temperature:	-40~+70°C	
存储温度 Storage Temperature:	-55~+85°C	
转动速度 Speed:	30rpm(Max)	
寿命 Life:	5*10 ⁶ 转(Min)	

—机械技术参数 Mechanical Specification—

接口 Connectors:	N-F	SMA-F
样式 Type:		
重量 Weight:	2000g	



UNLESS OTHERWISE SPECIFIED DIMENSIONS ARE MILLIMETER TOLERANCES ARE: DECIMALS ANGLES FRACTIONS .XX±0.1 ±1' ±2/5 .XXX±0.03 .XXX±0.012				莱尔微波 www.lairmw.com sales@lairmw.com		P/N: LRJ-1039																													
<table border="1"> <tr> <td>DRWN</td> <td>DATE</td> </tr> <tr> <td>ENG</td> <td></td> </tr> <tr> <td>CHK</td> <td></td> </tr> <tr> <td>Q.A.</td> <td></td> </tr> </table>		DRWN	DATE	ENG		CHK		Q.A.		FIVE CHANNEL COAX ROTARY JOINT 5通道同轴旋转关节																									
DRWN	DATE																																		
ENG																																			
CHK																																			
Q.A.																																			
<table border="1"> <tr> <td>HOLE DIAMETER</td> <td>TOLERANCES</td> </tr> <tr> <td>.35 TO 3.20</td> <td>+05/-02</td> </tr> <tr> <td>3.21 TO 6.35</td> <td>+10/-03</td> </tr> <tr> <td>6.36 TO 12.70</td> <td>+15/-03</td> </tr> <tr> <td>12.71 TO 19.05</td> <td>+20/-03</td> </tr> <tr> <td>19.06 TO 25.40</td> <td>+25/-03</td> </tr> <tr> <td>25.41 TO 50.80</td> <td>+30/-03</td> </tr> </table>		HOLE DIAMETER	TOLERANCES	.35 TO 3.20	+05/-02	3.21 TO 6.35	+10/-03	6.36 TO 12.70	+15/-03	12.71 TO 19.05	+20/-03	19.06 TO 25.40	+25/-03	25.41 TO 50.80	+30/-03	<table border="1"> <tr> <td>SIZE</td> <td>CAGE NO</td> <td>DWG NO.</td> <td>REV</td> </tr> <tr> <td>A3</td> <td></td> <td></td> <td>1</td> </tr> </table>		SIZE	CAGE NO	DWG NO.	REV	A3			1	<table border="1"> <tr> <td>SCALE</td> <td>UNIT</td> <td colspan="2">SHEET 1 OF 1</td> </tr> <tr> <td>3:2</td> <td>mm</td> <td colspan="2"></td> </tr> </table>		SCALE	UNIT	SHEET 1 OF 1		3:2	mm		
HOLE DIAMETER	TOLERANCES																																		
.35 TO 3.20	+05/-02																																		
3.21 TO 6.35	+10/-03																																		
6.36 TO 12.70	+15/-03																																		
12.71 TO 19.05	+20/-03																																		
19.06 TO 25.40	+25/-03																																		
25.41 TO 50.80	+30/-03																																		
SIZE	CAGE NO	DWG NO.	REV																																
A3			1																																
SCALE	UNIT	SHEET 1 OF 1																																	
3:2	mm																																		