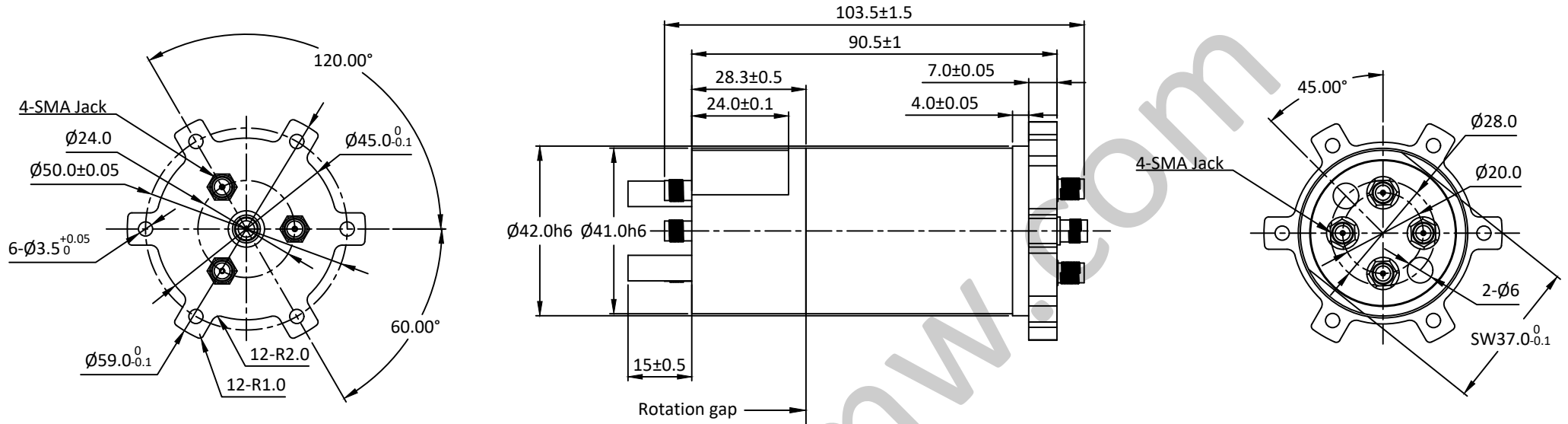


NOTES: UNLESS OTHERWISE SPECIFIED  
THIS IS A CAD GENERATED DRAWING, DO NOT REVISE MANUALLY

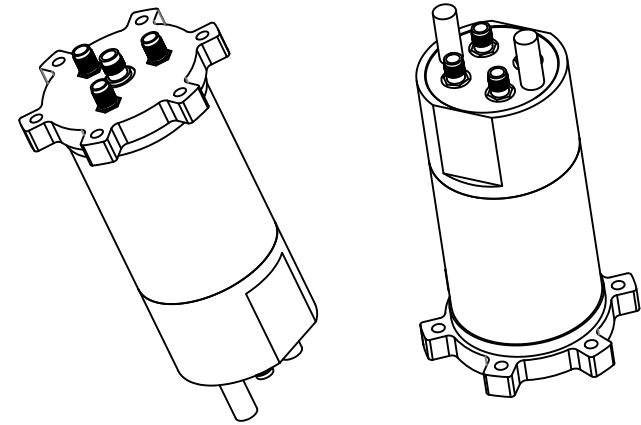
REVISION HISTORY					
ZONE	REV	DESCRIPTION	E.C.O.NO	DATE	APPROVED
	1	ENGINEERING RELEASE			



## LRJ-1033

4通道同轴旋转关节 Four Channel Coax Rotary Joint  
—电气技术参数 Electrical Specifications—

通道 Channel:	CH1	CH2	CH3	CH4
工作频率 Frequency Range:	3.6±0.75GHz	100GHz	3.6±0.75GHz	3.6±0.75GHz
插入损耗 Insertion Loss:	0.9dB(Max)	0.25dB(Max)	0.9dB(Max)	0.9dB(Max)
插入损耗最大波动值:	0.1dB	0.05dB	0.1dB	0.1dB
电压驻波比 VSWR:	1.5(Max)	1.3(Max)	1.5(Max)	1.5(Max)
驻波比最大波动值:	0.1	0.03	0.1	0.1
耐功率 Power:	70W@1GHz(CW) 10W@1GHz(CW) 10W@1GHz(CW) 10W@1GHz(CW)			
工作温度 Operation Temperature:	-50~+70°C			
存储温度 Storage Temperature:	-55~+85°C			
转动速度 Speed:	30rpm(Max)			
寿命 Life:	5*10 <sup>6</sup> 转(Min)			



—机械技术参数 Mechanical Specification—

接口 Connectors: SMA-F(50Ω)@CH1&2&3&4  
样式 Type: /  
重量 Weight: 400g

UNLESS OTHERWISE SPECIFIED DIMENSIONS ARE MILLIMETER TOLERANCES ARE: DECIMALS ANGLES FRACTIONS .XX±0.03 ±1' ±2/5 .XXX±0.012				莱尔微波 www.lairmw.com sales@lairmw.com		P/N: LRJ-1033																													
<table border="1"> <tr><td>Approvals</td><td>DATE</td></tr> <tr><td>DRWN</td><td></td></tr> <tr><td>ENG</td><td></td></tr> <tr><td>CHK</td><td></td></tr> <tr><td>Q.A.</td><td></td></tr> </table>		Approvals	DATE	DRWN		ENG		CHK		Q.A.		<table border="1"> <tr><td colspan="4">FOUR CHANNEL COAX ROTARY JOINT 4通道同轴旋转关节</td></tr> <tr> <td>SIZE</td> <td>CAGE NO</td> <td>DWG NO.</td> <td>REV</td> </tr> <tr> <td>A3</td> <td></td> <td></td> <td>1</td> </tr> <tr> <td>SCALE</td> <td>UNIT</td> <td colspan="2">SHEET 1 OF 1</td> </tr> <tr> <td>3:2</td> <td>mm</td> <td colspan="2"></td> </tr> </table>		FOUR CHANNEL COAX ROTARY JOINT 4通道同轴旋转关节				SIZE	CAGE NO	DWG NO.	REV	A3			1	SCALE	UNIT	SHEET 1 OF 1		3:2	mm				
Approvals	DATE																																		
DRWN																																			
ENG																																			
CHK																																			
Q.A.																																			
FOUR CHANNEL COAX ROTARY JOINT 4通道同轴旋转关节																																			
SIZE	CAGE NO	DWG NO.	REV																																
A3			1																																
SCALE	UNIT	SHEET 1 OF 1																																	
3:2	mm																																		