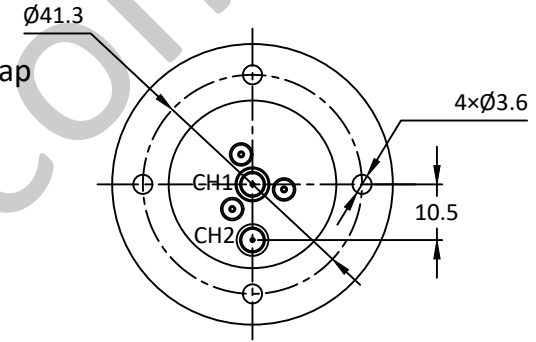
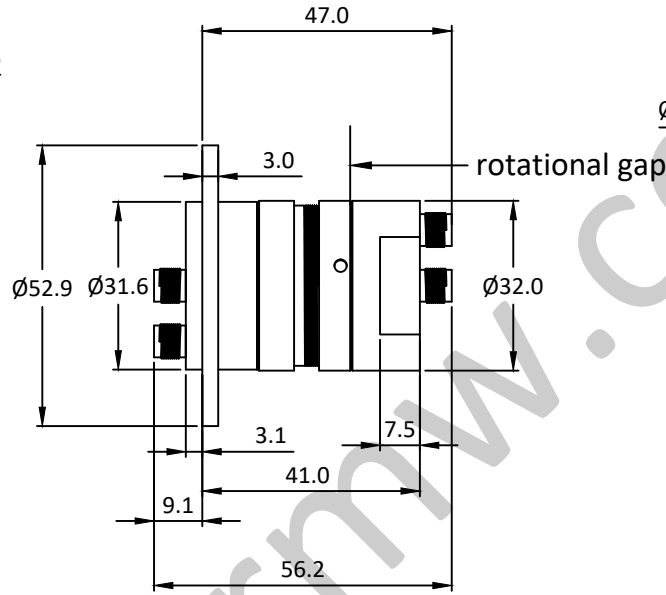
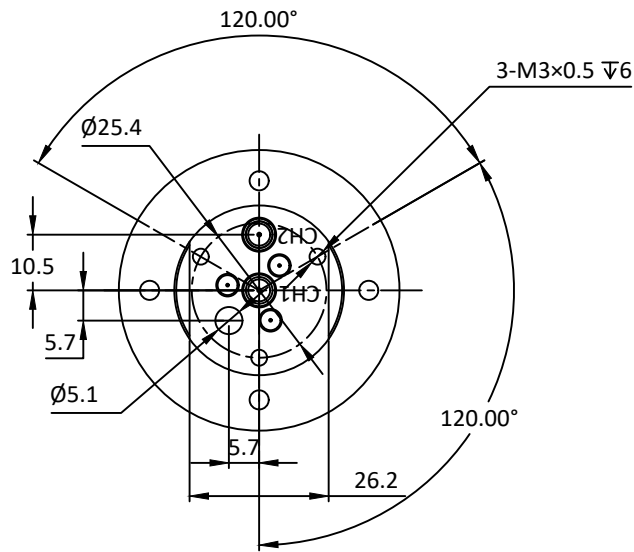


NOTES: UNLESS OTHERWISE SPECIFIED  
THIS IS A CAD GENERATED DRAWING, DO NOT REVISE MANUALLY

REVISION HISTORY					
ZONE	REV	DESCRIPTION	E.C.O.NO	DATE	APPROVED
	1	ENGINEERING RELEASE			



## LRJ-1020

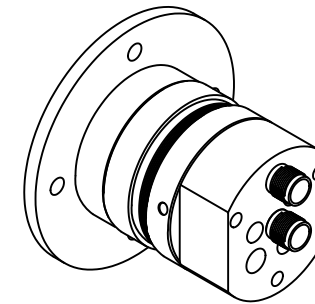
双通道旋转关节 Dual Channel Rotary Joint

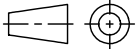

### —电气技术参数 Electrical Specifications—

通道 Channel:	CH1	CH2
工作频率 Frequency Range:	DC - 4.5GHz	DC - 4.5GHz
插入损耗 Insertion Loss:	0.3dB(Max)	0.5dB(Max)
插入损耗最大波动值:	0.05dB	0.15dB
电压驻波比 VSWR:	1.3(Max)	1.5(Max)
驻波比最大波动值:	0.05	0.2
耐功率 Power:	100W@DC-2GHz/60W@2-4.5GHz(CW)	10W(CW)
	1kW(Peak)	1kW(Peak)
工作温度 Operation Temperature:	-40~+70°C	
存储温度 Storage Temperature:	-55~+85°C	
转动速度 Speed:	30rpm(Max)	
寿命 Life:	5*10 <sup>6</sup> 转(Min)	

### —机械技术参数 Mechanical Specification—

接口 Connectors:	SMA-F
样式 Type:	I
重量 Weight:	400g



UNLESS OTHERWISE SPECIFIED DIMENSIONS ARE MILLIMETER TOLERANCES ARE: DECIMALS ANGLES FRACTIONS .XX±0.1 ±1' ±2/5 .XXX±0.012				P/N: LRJ-1020	
		www.lairmw.com sales@lairmw.com			
DRWN	DATE	DUAL CHANNEL COAX ROTARY JOINT			
ENG		双通道同轴旋转关节			
CHK		SIZE	CAGE NO	DWG NO.	REV
Q.A.		A3			1
HOLE DIAMETER .35 TO 3.20 3.21 TO 6.35 6.36 TO 12.70 12.71 TO 19.05 19.06 TO 25.40 25.41 TO 50.80		TOLERANCES +.05/-0.2 +.10/-0.3 +.15/-0.3 +.20/-0.3 +.25/-0.3 +.30/-0.3		SCALE	UNIT
		3:2	mm	SHEET 1 OF 1	