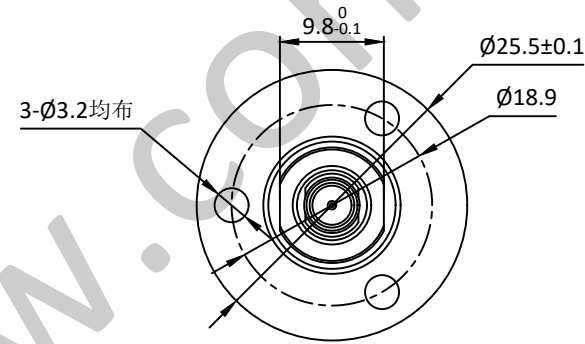
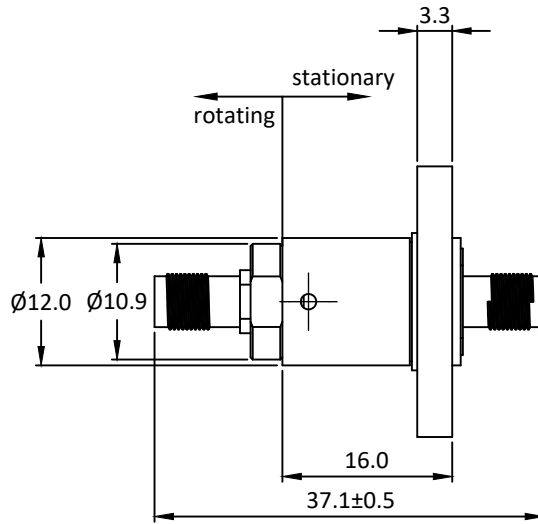


NOTES: UNLESS OTHERWISE SPECIFIED
THIS IS A CAD GENERATED DRAWING, DO NOT REVISE MANUALLY

REVISION HISTORY					
ZONE	REV	DESCRIPTION	E.C.O.NO	DATE	APPROVED
	1	ENGINEERING RELEASE			



LRJ-1012

DC - 50GHz 旋转关节 Rotary Joint

—电气技术参数 Electrical Specifications—

工作频率 Frequency Range:

插入损耗 Insertion Loss:

插入损耗最大波动值:

电压驻波比 VSWR:

驻波比最大波动值:

耐功率 Power

工作温度 Operation Temperature:

存储温度 Storage Temperature:

转动速度 Speed:

寿命 Life:

DC - 50GHz

0.3dB@DC-10GHz/0.5dB@10-26.5GHz/0.9dB@26.5-50GHz

0.1dB@DC-26.5GHz/0.15dB@26.5-50GHz

1.3@DC-10GHz/1.4@10-26.5GHz/1.7@26.5-50GHz

0.05@DC-26.5GHz/0.2@26.5-50GHz

50W@1GHz/15W@10GHz/5W@26.5GHz/3W@50GHz(CW)

1kW(Peak)

-40~+71°C

-55~+85°C

200rpm(Max)

5*10⁶转(Min)

—机械技术参数 Mechanical Specification—

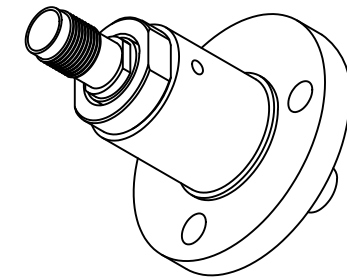
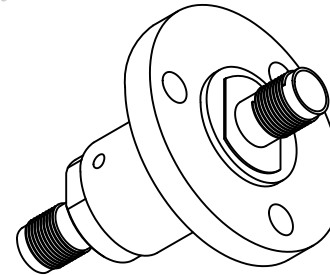
接口 Connectors:

样式 Type:

重量 Weight:

2.4mm-F(50Ω)

28g



UNLESS OTHERWISE SPECIFIED DIMENSIONS ARE MILLIMETER TOLERANCES ARE: DECIMALS ANGLES FRACTIONS .X±0.1 ±1' ±2/5 .XX±0.03 .XXX±0.012						P/N: LRJ-1012	
		Approvals		DATE		www.lairmw.com sales@lairmw.com	
HOLE DIAMETER .35 TO 3.20 3.21 TO 6.35 6.36 TO 12.70 12.71 TO 19.05 19.06 TO 25.40 25.41 TO 50.80		TOLERANCES +.05/-0.02 +.10/-0.03 +.15/-0.03 +.20/-0.03 +.25/-0.03 +.30/-0.03		DRWN		SINGLE CHANNEL COAX ROTARY JOINT 单通道同轴旋转关节	
		ENG		CHK		SIZE A3	
		Q.A.		SCALE 3:2		CAGE NO	
				UNIT mm		DWG NO.	
				SHEET 1 OF 1		REV 1	