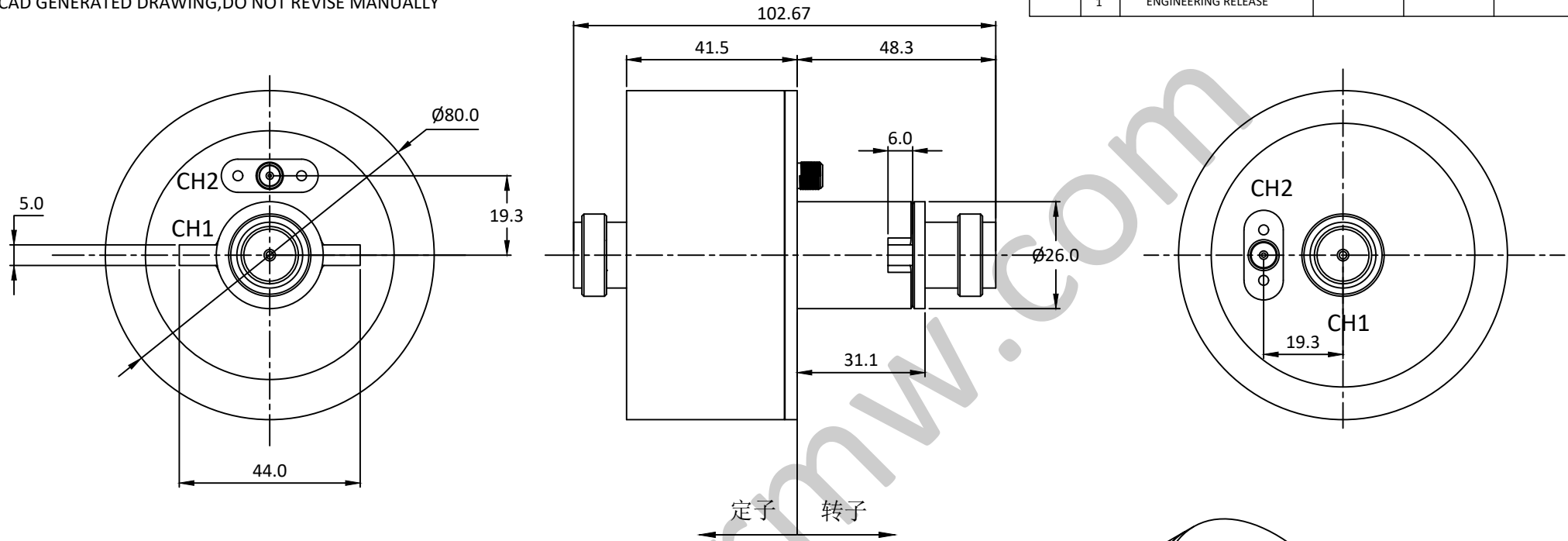


NOTES: UNLESS OTHERWISE SPECIFIED
THIS IS A CAD GENERATED DRAWING, DO NOT REVISE MANUALLY

| REVISION HISTORY | | | | | |
|------------------|-----|---------------------|----------|------|----------|
| ZONE | REV | DESCRIPTION | E.C.O.NO | DATE | APPROVED |
| | 1 | ENGINEERING RELEASE | | | |



LRJ-1008

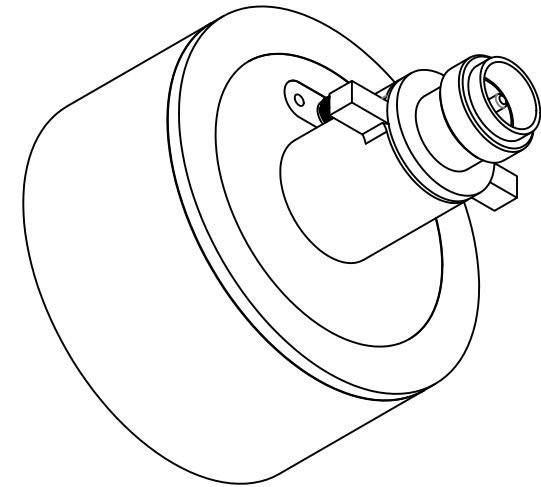
双通道旋转关节 Dual Channel Rotary Joint

—电气技术参数 Electrical Specifications—

| 通道 Channel: | CH1 | CH2 |
|-----------------------------|---------------|---------------|
| 工作频率 Frequency Range: | 1350MHz±80MHz | 1590MHz±20MHz |
| 插入损耗 Insertion Loss: | 0.4dB(Max) | 0.5dB(Max) |
| 插入损耗最大波动值: | / | / |
| 电压驻波比 VSWR: | 1.5(Max) | 1.5(Max) |
| 驻波比最大波动值: | / | / |
| 耐功率 Power: | 2W(CW) | 2W(CW) |
| 工作温度 Operation Temperature: | -40~+55℃ | |
| 存储温度 Storage Temperature: | -40~+65℃ | |

—机械技术参数 Mechanical Specification—

| | | |
|----------------|-------|-------|
| 接口 Connectors: | N-50K | SMA-K |
| 样式 Type: | / | / |
| 重量 Weight: | / | / |



| | | | | | |
|--------------------------------------------------------------------------------------------------------------------------------------------|------------------------------------------------------------------------------|-----------------------------------------|------|---------------|-----|
| UNLESS OTHERWISE SPECIFIED DIMENSIONS ARE MILLIMETER TOLERANCES ARE: DECIMALS ANGLES FRACTIONS .XX±0.03 ±1' ±2/5 .XXX±0.012 | | 莱尔微波 www.lairmw.com sales@lairmw.com | | P/N: LRJ-1008 | |
| | | DUAL CHANNEL ROTARY JOINT 双通道旋转关节 | | | |
| HOLE DIAMETER .35 TO 3.20 3.21 TO 6.35 6.36 TO 12.70 12.71 TO 19.05 19.06 TO 25.40 25.41 TO 50.80 | TOLERANCES +05/-02 +10/-03 +15/-03 +20/-03 +25/-03 +30/-03 | DRWN | DATE | SIZE | REV |
| | | ENG | | A3 | 1 |
| Q.A. | | SCALE | UNIT | SHEET 1 OF 1 | |
| | | 3:2 | mm | | |