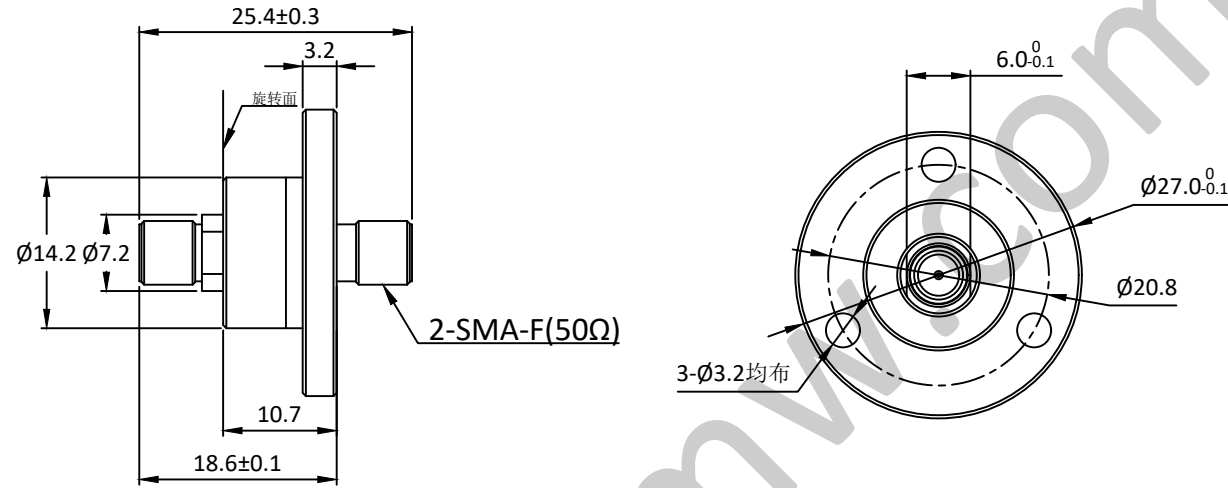


NOTES: UNLESS OTHERWISE SPECIFIED  
THIS IS A CAD GENERATED DRAWING, DO NOT REVISE MANUALLY

REVISION HISTORY					
ZONE	REV	DESCRIPTION	E.C.O.NO	DATE	APPROVED
	1	ENGINEERING RELEASE			



## LRJ-1014

DC - 18GHz 旋转关节 Rotary Joint

### —电气技术参数 Electrical Specifications—

工作频率 Frequency Range:

插入损耗 Insertion Loss:

插入损耗最大波动值:

电压驻波比 VSWR:

驻波比最大波动值:

耐功率 Power

DC - 18GHz

0.35dB(Max)

/

1.3

0.05

200W@1GHz/40W@15GHz/30W@18GHz(CW)

3KW(Peak)

工作温度 Operation Temperature:

转动速度 Speed:

寿命 Life:

-40~+70°C

200rpm(Max)

5\*10<sup>6</sup>转(Min)

### —机械技术参数 Mechanical Specification—

接口 Connectors:

样式 Type:

重量 Weight:

SMA-F

1

20g



UNLESS OTHERWISE SPECIFIED DIMENSIONS ARE MILLIMETER TOLERANCES ARE: DECIMALS ANGLES FRACTIONS .X±0.1 ±1' ±2/5 .XX±0.03 .XXX±0.012						 www.lairmw.com sales@lairmw.com		P/N: LRJ-1014	
HOLE DIAMETER .35 TO 3.20 3.21 TO 6.35 6.36 TO 12.70 12.71 TO 19.05 19.06 TO 25.40 25.41 TO 50.80		TOLERANCES +.05/-0.2 +.10/-0.3 +.15/-0.3 +.20/-0.3 +.25/-0.3 +.30/-0.3		Approvals DATE		DRWN ENG CHK Q.A.		SINGLE CHANNEL COAX ROTARY JOINT 单通道同轴旋转关节	
				SIZE A3		CAGE NO		DWG NO.	
				SCALE 3:2		UNIT mm		REV 1	
						SHEET 1 OF 1			