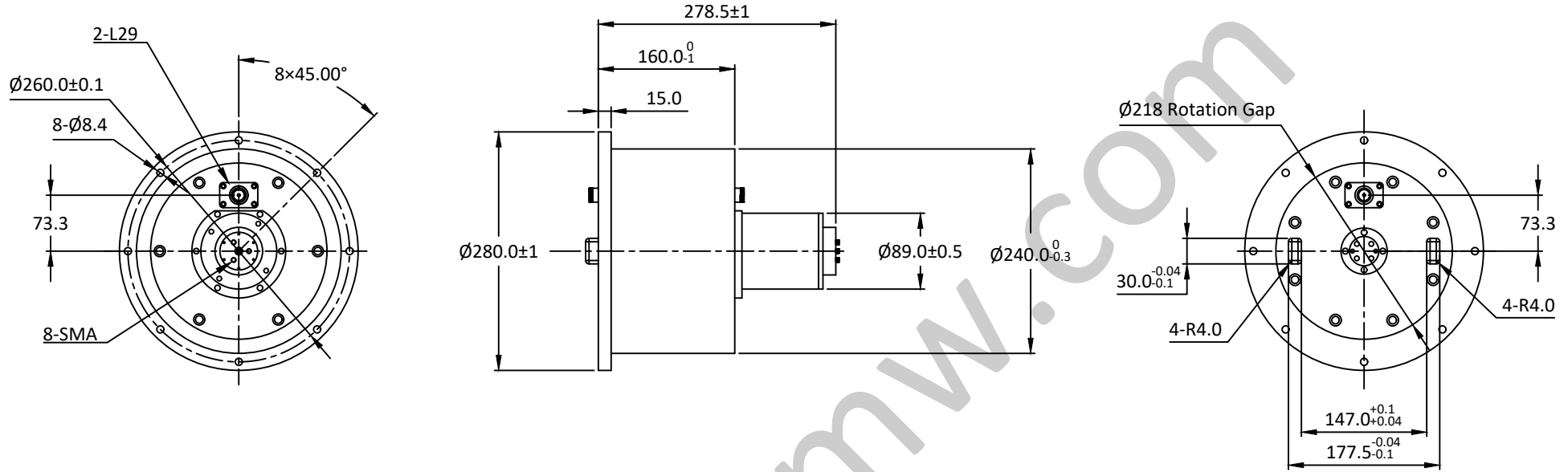


NOTES: UNLESS OTHERWISE SPECIFIED
THIS IS A CAD GENERATED DRAWING, DO NOT REVISE MANUALLY

REVISION HISTORY					
ZONE	REV	DESCRIPTION	E.C.O.NO	DATE	APPROVED
	1	ENGINEERING RELEASE			

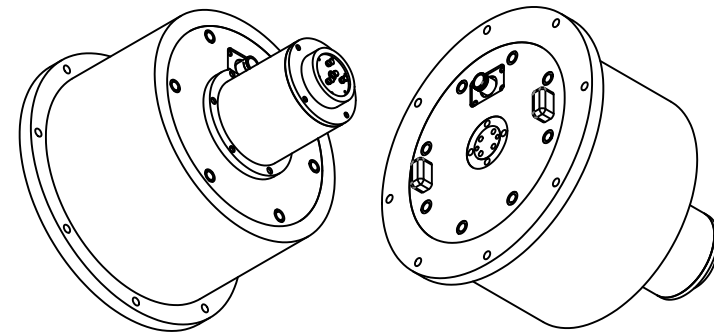


LRJ-1009

5通道同轴旋转关节 Five Channel Coax Rotary Joint

—电气技术参数 Electrical Specifications—

通道 Channel:	CH1	CH2	CH3	CH4	CH5
工作频率 Frequency Range:	0.63 - 0.66GHz	DC - 2.5GHz	DC - 2.5GHz	DC - 2.5GHz	DC - 2.5GHz
插入损耗 Insertion Loss:	0.3dB(Max)	0.8dB(Max)	0.8dB(Max)	0.8dB(Max)	0.8dB(Max)
插入损耗最大波动值:	0.1dB	0.2dB	0.2dB	0.2dB	0.2dB
电压驻波比 VSWR:	1.25(Max)	1.5(Max)	1.5(Max)	1.5(Max)	1.5(Max)
驻波比最大波动值:	0.1	0.3	0.3	0.3	0.3
耐功率 Power:	2kW(CW) 20kW(Peak)	150W(CW) 1kW(Peak)	150W(CW) 1kW(Peak)	20W(CW) 1kW(Peak)	20W(CW) 1kW(Peak)
工作温度 Operation Temperature:	-40~+70°C				
存储温度 Storage Temperature:	-55~+85°C				
转动速度 Speed:	10rpm(Max)				
寿命 Life:	5*10 ⁶ 转(Min)				



—机械技术参数 Mechanical Specification—

接口 Connectors:	SMA-F(50Ω)@CH1&2&3&4&5
样式 Type:	I
重量 Weight:	21kg

UNLESS OTHERWISE SPECIFIED DIMENSIONS ARE MILLIMETER TOLERANCES ARE: DECIMALS ANGLES FRACTIONS .XX±0.1 ±1' ±2/5 .XXX±0.03 .XXX±0.012				 www.lairm.com sales@lairm.com		P/N: LRJ-1009	
HOLE DIAMETER .35 TO 3.20 3.21 TO 6.35 6.36 TO 12.70 12.71 TO 19.05 19.06 TO 25.40 25.41 TO 50.80		TOLERANCES +.05/-0.2 +.10/-0.3 +.15/-0.3 +.20/-0.3 +.25/-0.3 +.30/-0.3		Approvals DATE DRWN ENG CHK Q.A.		Five CHANNEL COAX ROTARY JOINT 5通道同轴旋转关节	
		SIZE A3		CAGE NO		DWG NO.	
		SCALE 3:2		UNIT mm		REV 1	
				SHEET 1 OF 1			