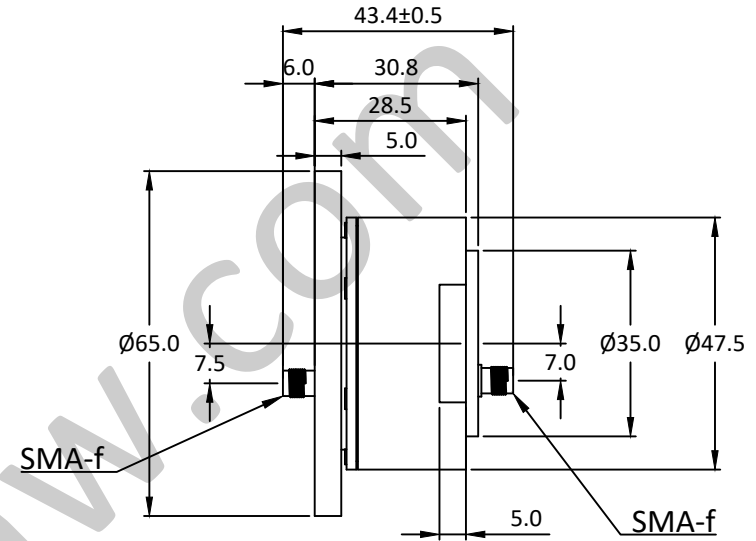
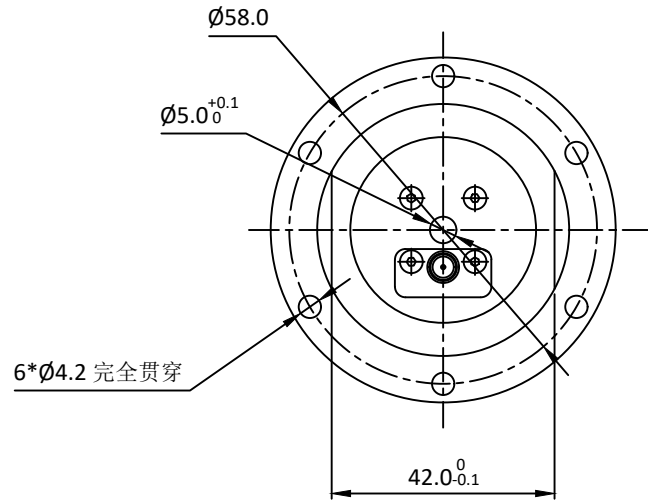


NOTES: UNLESS OTHERWISE SPECIFIED  
THIS IS A CAD GENERATED DRAWING, DO NOT REVISE MANUALLY

REVISION HISTORY					
ZONE	REV	DESCRIPTION	E.C.O.NO	DATE	APPROVED
	1	ENGINEERING RELEASE			



## LRJ-1013

DC - 30GHz 旋转关节 Rotary Joint

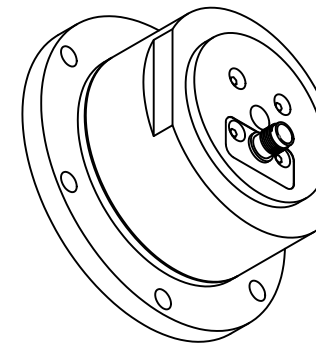
### —电气技术参数 Electrical Specifications—

工作频率 Frequency Range:	DC - 30GHz
插入损耗 Insertion Loss:	1dB(Max)
插入损耗最大波动值:	0.3dB
电压驻波比 VSWR:	1.5(Max)
驻波比最大波动值:	0.2
耐功率 Power	20W(CW) 1KW(Peak)
工作温度 Operation Temperature:	-40~+70°C
存储温度 Storage Temperature:	-55~+85°C
转动速度 Speed:	30rpm(Max)
寿命 Life:	5*10 <sup>6</sup> 转(Min)

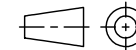
### —机械技术参数 Mechanical Specification—

接口 Connectors:  
样式 Type:  
重量 Weight:

SMA



UNLESS OTHERWISE SPECIFIED  
DIMENSIONS ARE MILLIMETER  
TOLERANCES ARE:  
DECIMALS ANGLES FRACTIONS  
.XX±0.03 ±1' ±2/5  
.XXX±0.012



Approvals

DATE

DRWN

ENG

CHK

Q.A.

HOLE DIAMETER  
.35 TO 3.20  
3.21 TO 6.35  
6.36 TO 12.70  
12.71 TO 19.05  
19.06 TO 25.40  
25.41 TO 50.80

TOLERANCES  
+05/-02  
+10/-03  
+15/-03  
+20/-03  
+25/-03  
+30/-03



www.lairm.com sales@lairm.com

P/N: LRJ-1013

SINGLE CHANNEL COAX ROTARY JOINT  
单通道同轴旋转关节

SIZE  
A3

CAGE NO

DWG NO.

REV  
1

SCALE  
3:2

UNIT  
mm

SHEET 1 OF 1