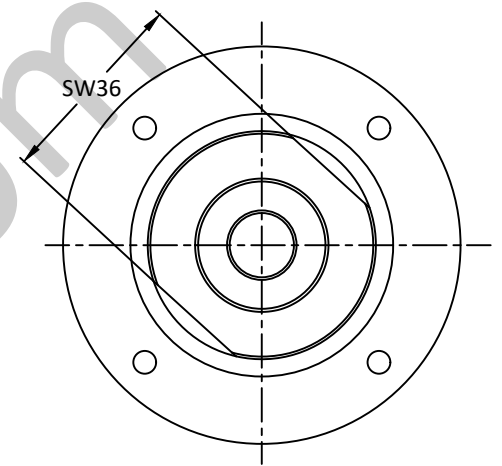
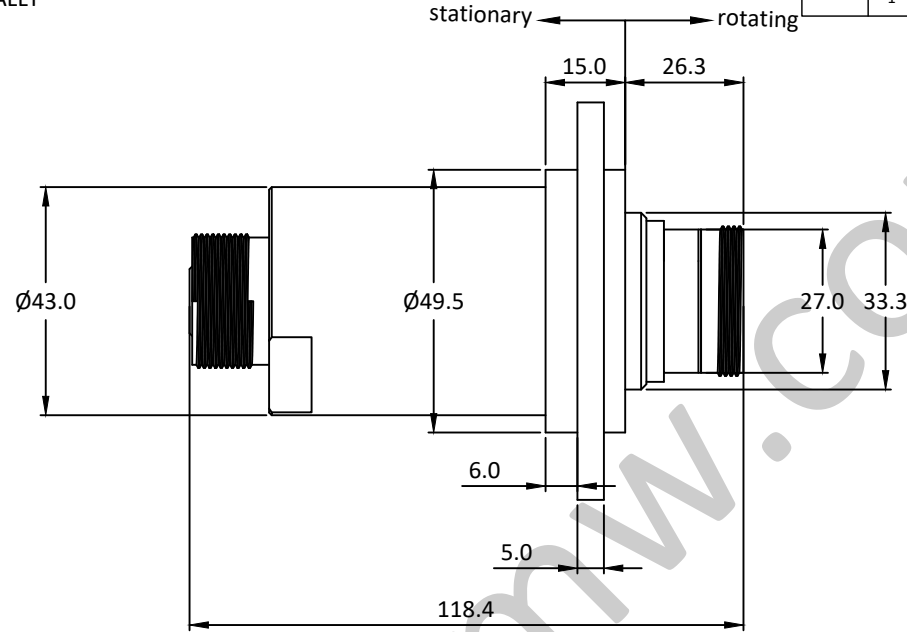
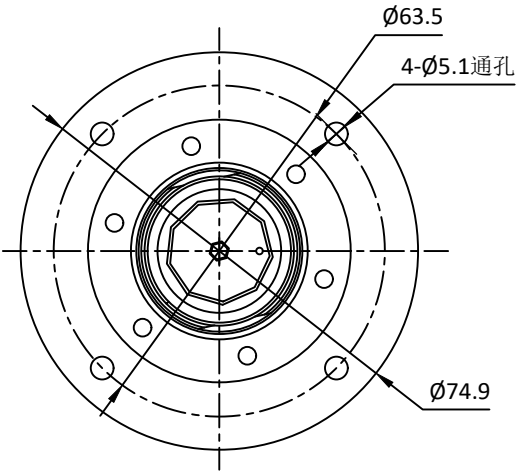


NOTES: UNLESS OTHERWISE SPECIFIED
THIS IS A CAD GENERATED DRAWING, DO NOT REVISE MANUALLY

REVISION HISTORY					
ZONE	REV	DESCRIPTION	E.C.O.NO	DATE	APPROVED
	1	ENGINEERING RELEASE			



LRJ-1010

DC - 5GHz 旋转关节 Rotary Joint

—电气技术参数 Electrical Specifications—

工作频率 Frequency Range:

插入损耗 Insertion Loss:

插入损耗最大波动值:

电压驻波比 VSWR:

驻波比最大波动值:

耐功率 Power

工作温度 Operation Temperature:

存储温度 Storage Temperature:

转动速度 Speed:

寿命 Life:

DC - 5GHz

0.35dB(Max)

0.1dB

1.25(Max)

0.1

1.5kW(CW)@DC-1.5GHz

20kW(Peak)

-40~+70°C

-55~+85°C

60rpm(Max)

5*10⁶转(Min)

—机械技术参数 Mechanical Specification—

接口 Connectors:

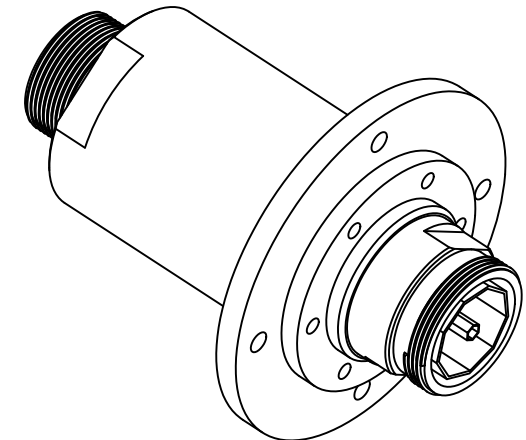
样式 Type:

重量 Weight:

7/16-F(50Ω)

1

1kg



UNLESS OTHERWISE SPECIFIED DIMENSIONS ARE MILLIMETER TOLERANCES ARE: DECIMALS ANGLES FRACTIONS .XX±0.1 ±1' ±2/5 .XXX±0.03 .XXX±0.012						P/N: LRJ-1010																									
<table border="1"> <tr> <td>HOLE DIAMETER</td> <td>TOLERANCES</td> </tr> <tr> <td>.35 TO 3.20</td> <td>+05/-02</td> </tr> <tr> <td>3.21 TO 6.35</td> <td>+10/-03</td> </tr> <tr> <td>6.36 TO 12.70</td> <td>+15/-03</td> </tr> <tr> <td>12.71 TO 19.05</td> <td>+20/-03</td> </tr> <tr> <td>19.06 TO 25.40</td> <td>+25/-03</td> </tr> <tr> <td>25.41 TO 50.80</td> <td>+30/-03</td> </tr> </table>		HOLE DIAMETER	TOLERANCES	.35 TO 3.20	+05/-02	3.21 TO 6.35	+10/-03	6.36 TO 12.70	+15/-03	12.71 TO 19.05	+20/-03	19.06 TO 25.40	+25/-03	25.41 TO 50.80	+30/-03	<table border="1"> <tr> <td>Approvals</td> <td>DATE</td> </tr> <tr> <td>DRWN</td> <td></td> </tr> <tr> <td>ENG</td> <td></td> </tr> <tr> <td>CHK</td> <td></td> </tr> <tr> <td>Q.A.</td> <td></td> </tr> </table>		Approvals	DATE	DRWN		ENG		CHK		Q.A.		<p>SINGLE CHANNEL COAX ROTARY JOINT 单通道同轴旋转关节</p>			
HOLE DIAMETER	TOLERANCES																														
.35 TO 3.20	+05/-02																														
3.21 TO 6.35	+10/-03																														
6.36 TO 12.70	+15/-03																														
12.71 TO 19.05	+20/-03																														
19.06 TO 25.40	+25/-03																														
25.41 TO 50.80	+30/-03																														
Approvals	DATE																														
DRWN																															
ENG																															
CHK																															
Q.A.																															
SIZE A3		CAGE NO		DWG NO.		REV 1																									
SCALE 3:2		UNIT mm		SHEET 1 OF 1																											