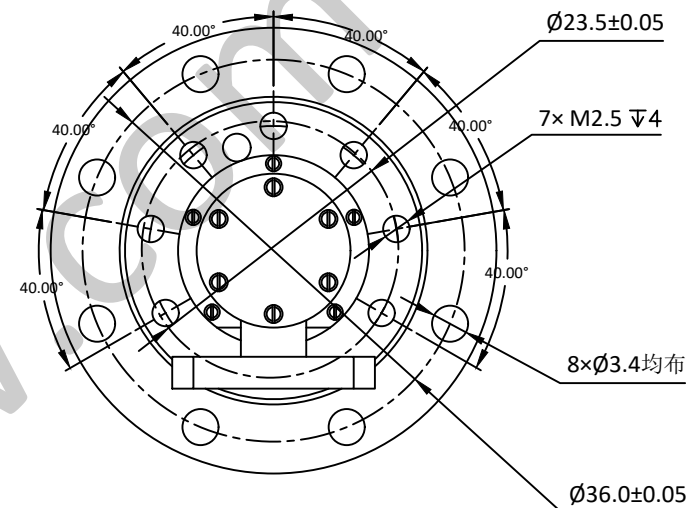
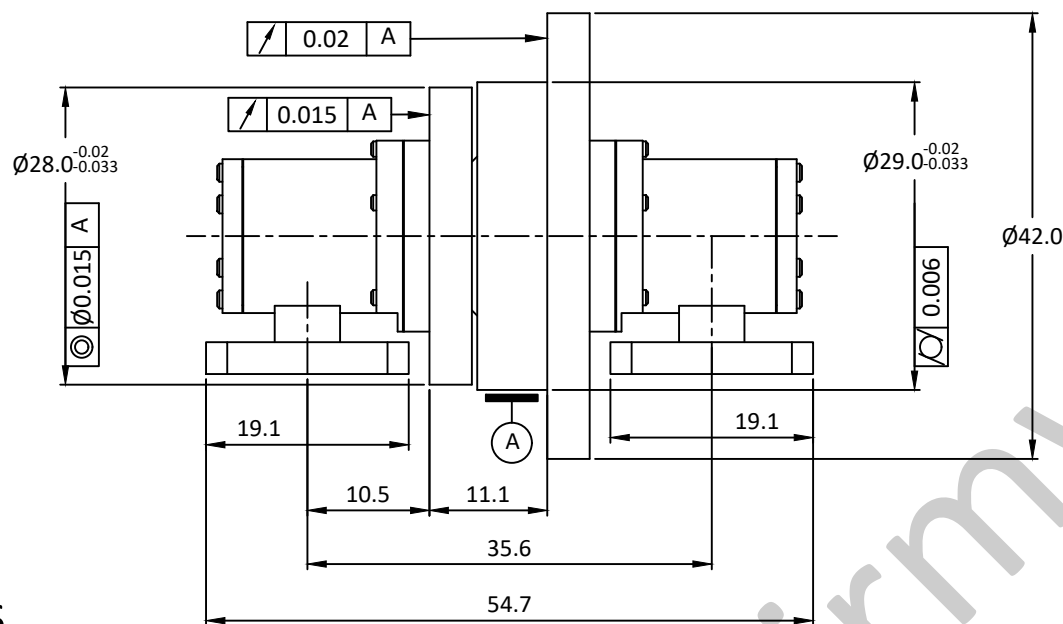


NOTES: UNLESS OTHERWISE SPECIFIED  
THIS IS A CAD GENERATED DRAWING, DO NOT REVISE MANUALLY

REVISION HISTORY					
ZONE	REV	DESCRIPTION	E.C.O.NO	DATE	APPROVED
	1	ENGINEERING RELEASE			



## LRJ-1006

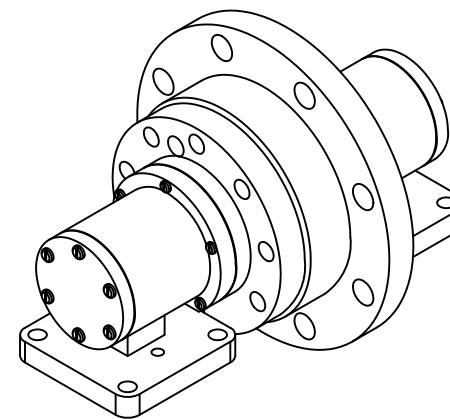
34 - 38GHz 旋转关节 Rotary Joint

### —电气技术参数 Electrical Specifications—

工作频率 Frequency Range:	34 - 38GHz
插入损耗 Insertion Loss:	0.5dB(Max)
插入损耗最大波动值:	0.1dB
电压驻波比 VSWR:	1.5(Max)
驻波比最大波动值:	0.2
耐功率 Power	200W(CW)
工作温度 Operation Temperature:	-40~+70°C
转动速度 Speed:	60rpm(Max)
寿命 Life:	10 <sup>6</sup> 转(Min)

### —机械技术参数 Mechanical Specification—

接口 Connectors:	BJ400
样式 Type:	/
重量 Weight:	≤80g



UNLESS OTHERWISE SPECIFIED DIMENSIONS ARE MILLIMETER TOLERANCES ARE: DECIMALS ANGLES FRACTIONS .X±0.1 ±1' ±2/5 .XX±0.03 .XXX±0.012		莱尔微波 www.lairmw.com sales@lairmw.com		P/N: LRJ-1006			
		SINGLE CHANNEL WAVEGUIDE ROTARY JOINT 单通道波导旋转关节					
HOLE DIAMETER .35 TO 3.20 3.21 TO 6.35 6.36 TO 12.70 12.71 TO 19.05 19.06 TO 25.40 25.41 TO 50.80	TOLERANCES +.05/-0.2 +.10/-0.3 +.15/-0.3 +.20/-0.3 +.25/-0.3 +.30/-0.3	DRWN ENG CHK Q.A.	DATE    	SIZE A3	CAGE NO 	DWG NO. 	REV 1
		SCALE	3:2	UNIT	mm	SHEET 1 OF 1	