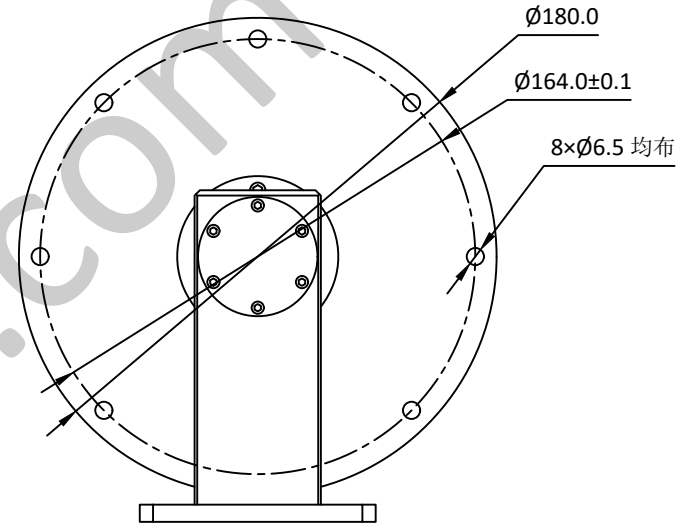
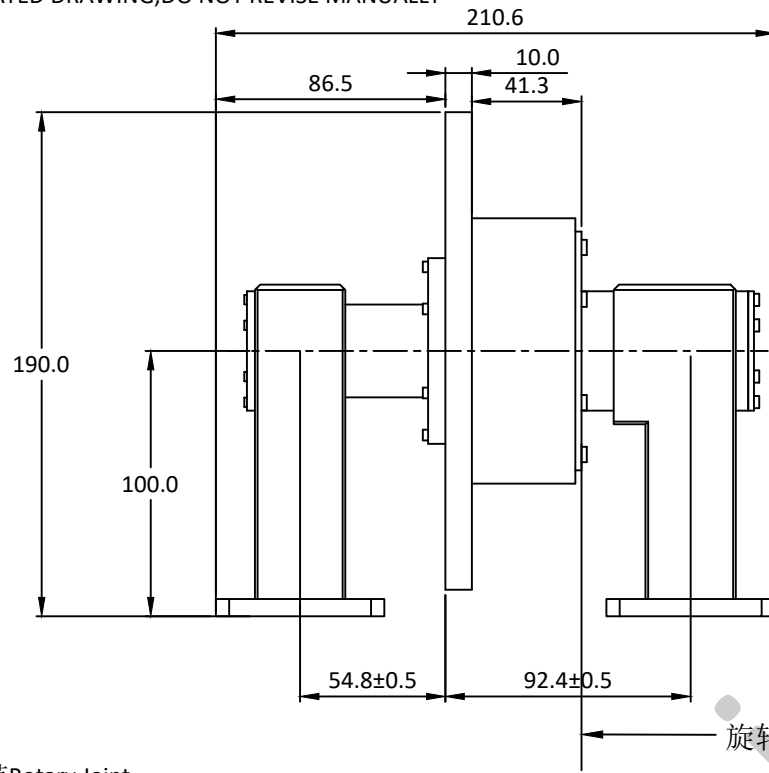


NOTES: UNLESS OTHERWISE SPECIFIED
THIS IS A CAD GENERATED DRAWING, DO NOT REVISE MANUALLY

REVISION HISTORY					
ZONE	REV	DESCRIPTION	E.C.O.NO	DATE	APPROVED
	1	ENGINEERING RELEASE			



LRJ-1005

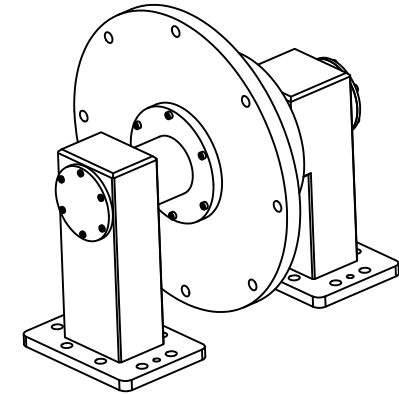
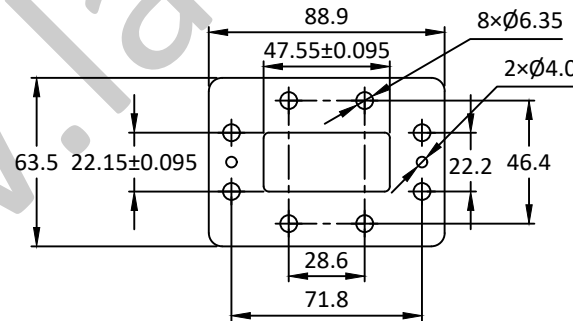
5.4 - 5.9GHz 旋转关节 Rotary Joint

—电气技术参数 Electrical Specifications—

工作频率 Frequency Range:	5.4 - 5.9GHz
插入损耗 Insertion Loss:	0.5dB(Max)
插入损耗最大波动值:	0.1dB
电压驻波比 VSWR:	1.3(Max)
驻波比最大波动值:	0.1
耐功率 Power	1000W(CW) 10KW(Peak)
工作温度 Operation Temperature:	-40~+70°C
转动速度 Speed:	60rpm(Max)
寿命 Life:	5*10 ⁶ 转(Min)

旋转界面

视图K (局部)

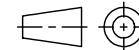


—机械技术参数 Mechanical Specification—

接口 Connectors:	BJ48
样式 Type:	/
重量 Weight:	/

UNLESS OTHERWISE SPECIFIED
DIMENSIONS ARE MILLIMETER
TOLERANCES ARE:
DECIMALS ANGLES FRACTIONS
.XX±0.1 ±1' ±2/5
.XXX±0.012

HOLE DIAMETER	TOLERANCES
.35 TO 3.20	+0.05/-0.02
3.21 TO 6.35	+0.10/-0.03
6.36 TO 12.70	+0.15/-0.03
12.71 TO 19.05	+0.20/-0.03
19.06 TO 25.40	+0.25/-0.03
25.41 TO 50.80	+0.30/-0.03



Approvals

DATE

DRWN

ENG

CHK

Q.A.



P/N: LRJ-1005

SINGLE CHANNEL ROTARY JOINT
单通道旋转关节

SIZE	CAGE NO	DWG NO.	REV
A3			1
SCALE	UNIT	SHEET 1 OF 1	
3:2	mm		