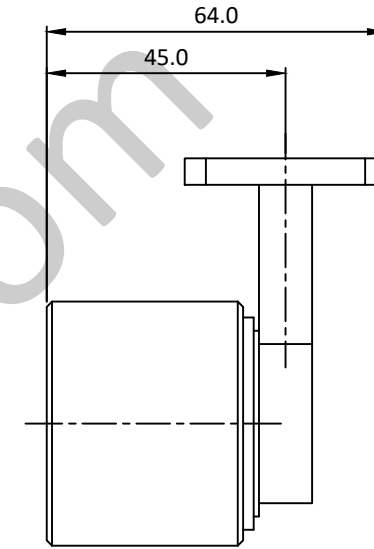
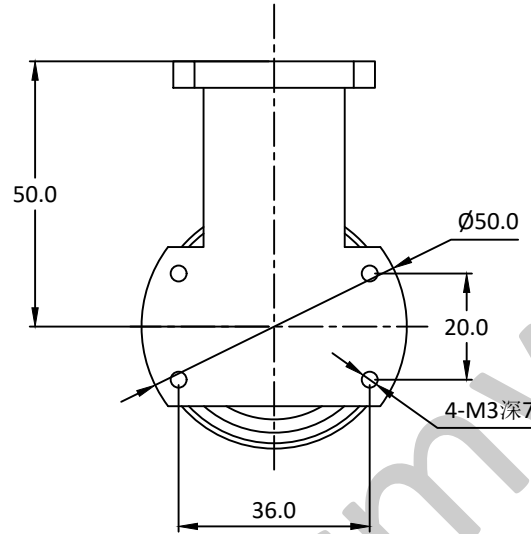
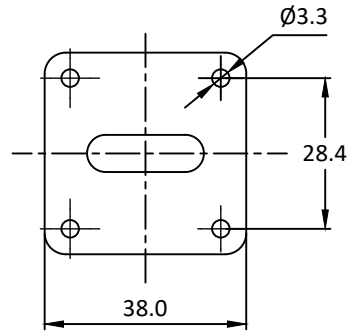


NOTES: UNLESS OTHERWISE SPECIFIED
THIS IS A CAD GENERATED DRAWING, DO NOT REVISE MANUALLY

REVISION HISTORY					
ZONE	REV	DESCRIPTION	E.C.O.NO	DATE	APPROVED
	1	ENGINEERING RELEASE			



LRJ-1001

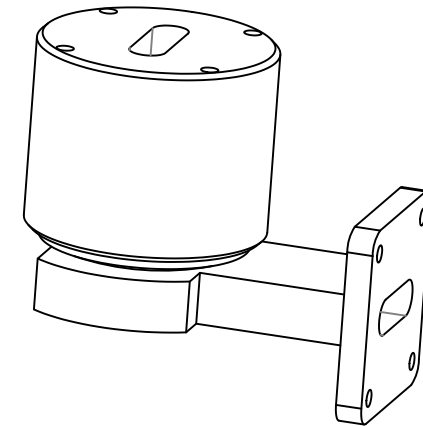
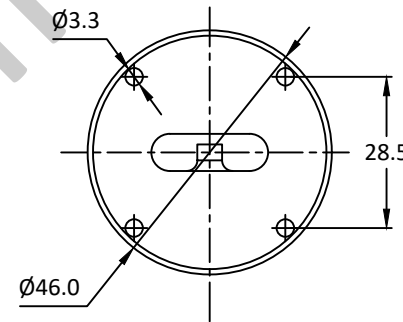
13.75 - 14.5GHz 旋转关节 Rotary Joint

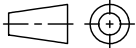

—电气技术参数 Electrical Specifications—

工作频率 Frequency Range:	13.75 - 14.5GHz
插入损耗 Insertion Loss:	0.2dB(Max)
插入损耗最大波动值:	0.05dB
电压驻波比 VSWR:	1.2(Max)
驻波比最大波动值:	0.1
耐功率 Power	200W(CW) 5KW(Peak)
工作温度 Operation Temperature:	-40~+70°C
存储温度 Storage Temperature:	-55~+85°C
转动速度 Speed:	120rpm(Max)
寿命 Life:	10*10 ⁶ 转(Min)

—机械技术参数 Mechanical Specification—

接口 Connectors:	R120
样式 Type:	L
重量 Weight:	300g



UNLESS OTHERWISE SPECIFIED DIMENSIONS ARE MILLIMETER TOLERANCES ARE: DECIMALS ANGLES FRACTIONS .XX±0.1 ±1' ±2/5 .XXX±0.03 .XXX±0.012		 Approvals DATE		 www.lairmw.com sales@lairmw.com		P/N: LRJ-1001	
HOLE DIAMETER .35 TO 3.20 +.05/-0.2 3.21 TO 6.35 +.10/-0.3 6.36 TO 12.70 +.15/-0.3 12.71 TO 19.05 +.20/-0.3 19.06 TO 25.40 +.25/-0.3 25.41 TO 50.80 +.30/-0.3		DRWN ENG CHK Q.A.		SINGLE CHANNEL WAVEGUIDE ROTARY JOINT 单通道波导旋转关节			
		SIZE A3		CAGE NO		DWG NO.	
		SCALE 3:2		UNIT mm		REV 1	
				SHEET 1 OF 1			