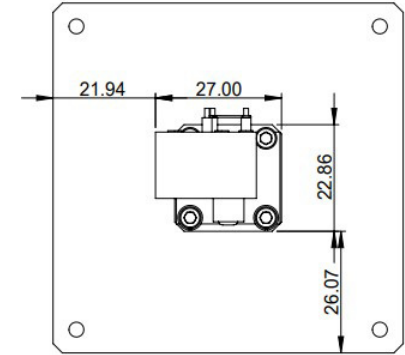
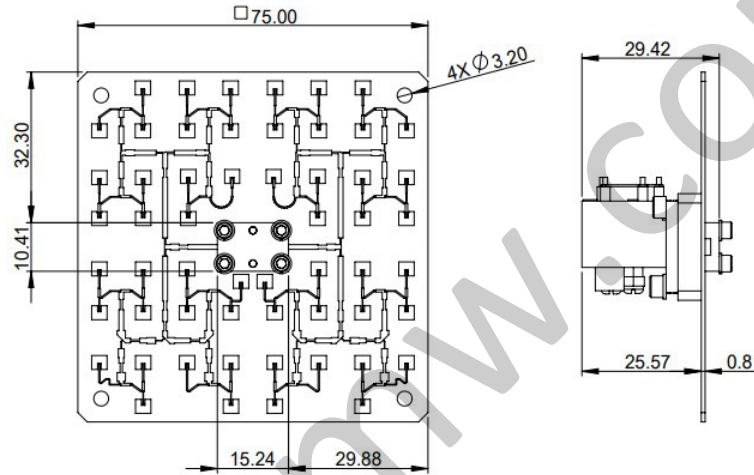
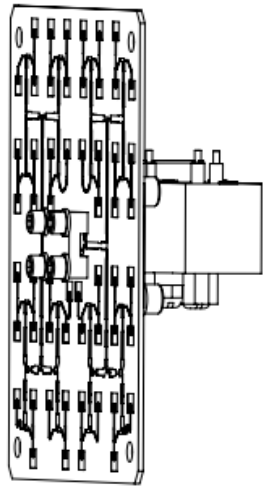


NOTES: UNLESS OTHERWISE SPECIFIED  
THIS IS A CAD GENERATED DRAWING, DO NOT REVISE MANUALLY

REVISION HISTORY					
ZONE	REV	DESCRIPTION	E.C.O.NO	DATE	APPROVED
	1	ENGINEERING RELEASE			

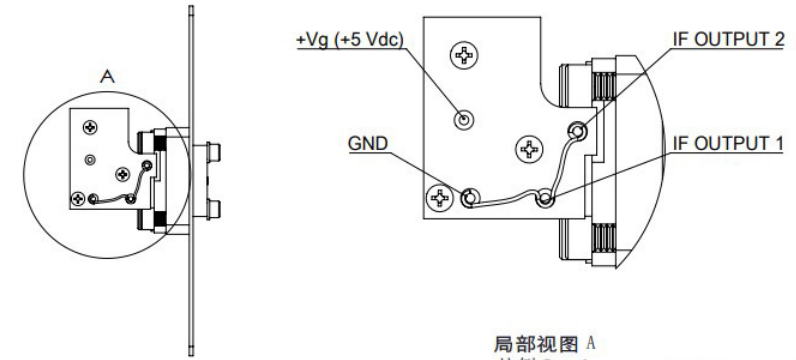


## LRF-2002

24.125GHz多普勒雷达头Doppler Radar

### —技术参数Electrical Specifications—

频率范围 Frequency Range:	24.050 - 24.200GHz
中频IF Frequency:	DC - 1GHz
发射功率Transmission Power:	+7dBm(Typ.)
3dB波束宽度Antenna HPBW:	12°x12°
天线增益Antenna Gain:	18dBi
旁瓣电平Antenna Sidelobe Level:	-17dBc(Max.)
I/Q相位偏移 I/Q Phase Shift:	50°-120°
I/Q幅度偏移 I/Q Amplitude Shift:	0 - 3dB
频率偏移Frequency Shift:	±40MHz(Max.)
速度测量误差Speed measurement deviation:	±0.2km/h(Max.)
响应时间Response Time:	25ms(Max.)
直流偏置电压DC Supply Voltage:	5V(Typ.)/5.5V(Max.)
直流偏置电流DC Supply Current:	100mA(Typ.)
工作温度Operation Temperature:	-40~+85 C
天线Antenna:	平面型, 线极化
重量Weight:	53g



局部视图 A  
比例 2 : 1

Unit: mm

UNLESS OTHERWISE SPECIFIED DIMENSIONS ARE MILLIMETER TOLERANCES ARE: DECIMALS ANGLES FRACTIONS .X±0.1 ±1° ±2/5 .XX±0.03 .XXX±0.012								P/N: LRF-2002	
		Approvals		DATE		www.lairmw.com sales@lairmw.com			
HOLE DIAMETER .35 TO 3.20 3.21 TO 6.35 6.36 TO 12.70 12.71 TO 19.05 19.06 TO 25.40 25.41 TO 50.80		TOLERANCES +.05/-02 +.10/-03 +.15/-03 +.20/-03 +.25/-03 +.30/-03		DRWN		24.125GHz多普勒雷达头Doppler Radar		REV 1	
		ENG		CHK		SIZE A3		CAGE NO.	
		Q.A.				SCALE 3:2		UNIT mm	
						DWG NO.		SHEET 1 OF 1	