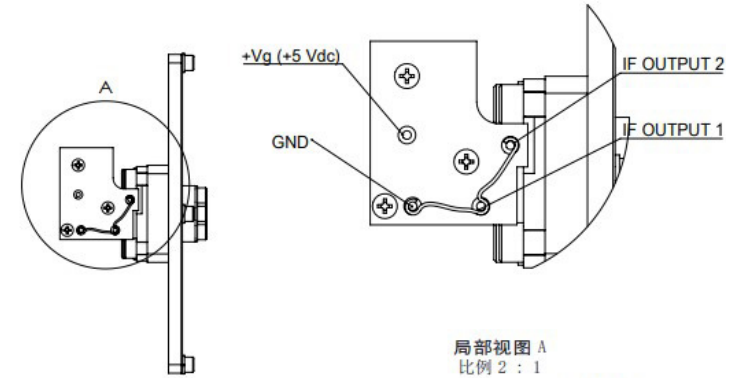
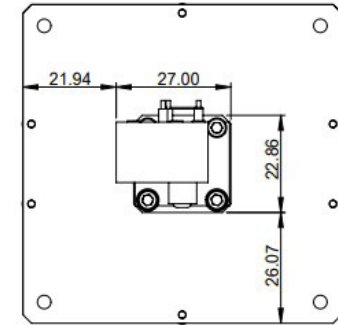
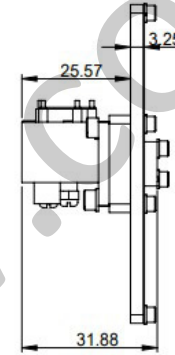
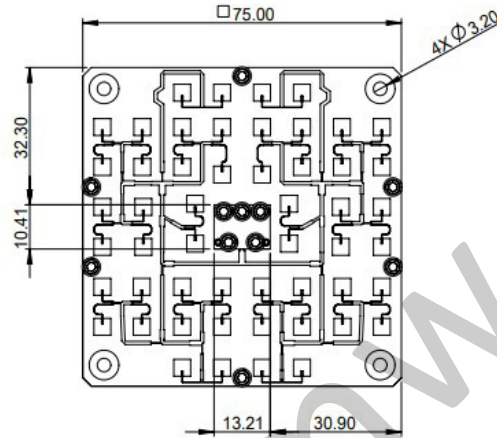
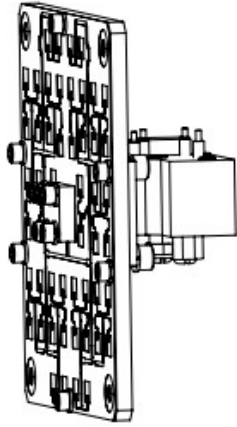


NOTES: UNLESS OTHERWISE SPECIFIED  
THIS IS A CAD GENERATED DRAWING, DO NOT REVISE MANUALLY

REVISION HISTORY					
ZONE	REV	DESCRIPTION	E.C.O.NO	DATE	APPROVED
	1	ENGINEERING RELEASE			



局部视图 A  
比例 2 : 1

Unit: mm

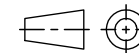
## LRF-2001

24.125GHz多普勒雷达头 Doppler Radar

### —技术参数 Electrical Specifications—

频率范围 Frequency Range:	24.050 - 24.200GHz
中频IF Frequency:	DC - 1GHz
发射功率 Transmission Power:	+7dBm(Typ.)
3dB波束宽度 Antenna HPBW:	11°x11°
天线增益 Antenna Gain:	21dBi
旁瓣电平 Antenna Sidelobe Level:	-17dBc(Max.)
I/Q相位偏移 I/Q Phase Shift:	50°-120°
I/Q幅度偏移 I/Q Amplitude Shift:	0 - 3dB
频率偏移 Frequency Shift:	±40MHz(Max.)
速度测量误差 Speed measurement deviation:	±0.2km/h(Max.)
响应时间 Response Time:	25ms(Max.)
直流偏置电压 DC Supply Voltage:	5V(Typ.)/5.5V(Max.)
直流偏置电流 DC Supply Current:	100mA(Typ.)
工作温度 Operation Temperature:	-40~+85 C
天线 Antenna:	平面型, 线极化
重量 Weight:	89g

UNLESS OTHERWISE SPECIFIED  
DIMENSIONS ARE MILLIMETER  
TOLERANCES ARE:  
DECIMALS ANGLES FRACTIONS  
.X±0.1 ±1° ±2/5  
.XX±0.03  
.XXX±0.012



Approvals	DATE
DRWN	
ENG	
CHK	
Q.A.	

 莱尔微波  
Laird Microwave  
www.lairmw.com sales@lairmw.com

P/N: LRF-2001

24.125GHz多普勒雷达头 Doppler Radar

SIZE	CAGE NO	DWG NO.	REV
A3			1
SCALE 3:2	UNIT mm	SHEET 1 OF 1	